

Levenhuk DTX TV

Digital Microscope



EN	User Manual
BG	Ръководство за потребителя
CZ	Návod k použití
DE	Bedienungsanleitung
HU	Használati útmutató
ES	Guía del usuario
IT	Guida all'utilizzo
PL	Instrukcja obsługi
PT	Manual do usuário
RU	Инструкция по эксплуатации

200x
ZOOM

3 MEGA
PIXELS

ILLUMINATION

HDMI
1080 P

levenhuk
Zoom&Joy

Levenhuk DTX TV

Digital Microscope

EN

Never, under any circumstances, look directly at the Sun, another bright source of light or at a laser through this device, as this may cause **PERMANENT RETINAL DAMAGE** and may lead to **BLINDNESS**.

Microscope parts

- | | |
|-------------------------|------------------------|
| 1 DC-in & USB port | 7 Menu |
| 2 HDMI port | 8 Capture/OK |
| 3 MicroSD slot | 9 Down |
| 4 LED Dimmer | 10 LED |
| 5 Power on/off | 11 Focus wheel |
| 6 Mode (Playback/Photo) | 12 Magnification ruler |
| | 13-17 Screws |

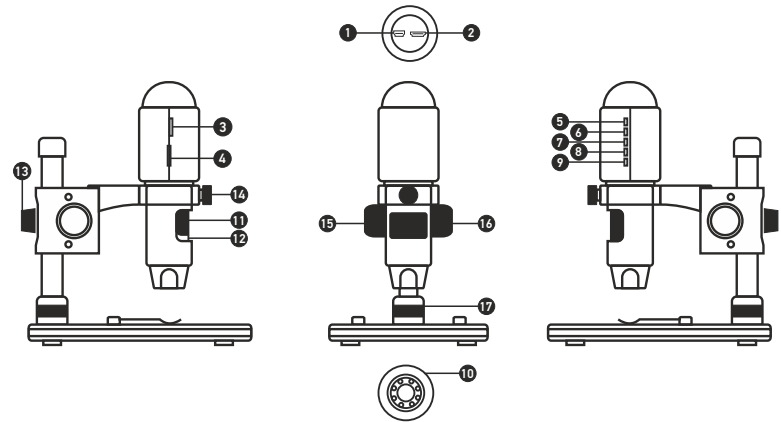
The kit includes: microscope, microscope stand, AC adapter, USB cable, HDMI cable, calibrating scale, software CD, user manual.

Microscope assembly

Take the microscope and all accessories out of the package. Place the stage on a stable surface. Attach the mount locking ring (17) to the metal tube of the mount. Insert the metal tube into the opening on the stage and lock it in place with the ring (17). Insert the microscope into the clamp on the mount arm and tighten the locking screw (14). Tighten the locking knob (13) to lock the mount arm in place. Place a specimen on the stage and use the coarse focus knob (16) to focus your view. Use the fine focus knob (11) for maximum precision and sharpness. Upon focusing your view, tighten the focus lock knob (15) to lock the results.

PortableCaptureHD software

Insert the installation CD into your CD drive. The Main Menu window will be displayed. Click the **Install PortableCaptureHD** to install the application and follow the instructions on screen. The installation CD contains a copy of this user manual, which you can read by clicking the corresponding entry in the Main Menu. Connect the microscope to your PC with a USB cable and run the PortableCaptureHD application. A pop-up message will warn you if the microscope is not connected to the PC.



Capture an image



Start and stop video recording



Sequence capture (you can set the time to begin capturing images or videos, interval between them, video duration and the number of images or videos to be captured)



Full screen mode. To exit full screen mode, press **Escape** on your keyboard or double-click anywhere on the screen

Using the microscope

Connection to TV/monitor with HDMI input

- 1) Connect the microscope to the TV/monitor by inserting the HDMI cable into the HDMI input port. Turn on the power of your TV/monitor and select the HDMI setting.
- 2) Power the microscope with the supplied power adapter. If the microscope is not already on, turn on the power of the microscope by pressing the Power on/off button (5) if the device is not turned on, and then you can start the preview on the screen.

Capturing an image

- 1) Insert a microSD card into the microSD slot (3). Maximum card size is 32GB.
- 2) Turn the Focus wheel (11) to focus the image of your object to its best focus.
- 3) Press Capture/OK button (8) and the captured photo will be captured and saved to the microSD card.

Playback

- 1) Insert microSD card in slot.
- 2) Press Mode button (6) to switch to playback mode.
- 3) Press Down button (9) to watch the previous captured photo. Press Mode button (6) again to return to preview.

Mass storage on PC

- 1) Insert microSD card in slot.
- 2) Connect the microscope to PC by USB cable for downloading images from card to your computer.

Preview on PC

- 1) Only works with supported software installed.
- 2) Remove microSD card from the slot.
- 3) Connect the microscope to PC by USB cable.

Main menu I

Press Menu button (7) to open the main menu. From this menu you can set image resolution, adjust image exposure, quality and sharpness, as well as set parameters for sequence capture. Also this menu contains Time-lapse and Date Stamp functions.

Resolution

Select **Resolution** from the main menu I and choose the required image resolution, by pressing the Down button (9) then confirm by pressing Capture/OK button (8).

Note: this model supports the following resolutions: WVGA/2M/3M/5M/8M/14M.

Time-lapse Capture

From the main menu I, choose Time-lapse Capture and then enter Time setup:

Lapse Num: input quantity of frames you want to take by Down button (9) and change the block by pressing Mode button (6). The maximum number is 999, which means 999 pictures will be automatically captured within the selected interval time.

Lapse Time: input interval time between frame capture by Down button (9) and change the block by pressing Mode button (6). The maximum number is 999, which means the time interval for each capture is 999 seconds.

Press Capture/OK button (8) to confirm selection and press Menu button (7).back to preview status. Then press Capture/OK button (8) to start auto capture. When in auto capture status, the image quantity will be shown at the upper right corner.

When all frames are captured, microscope will return to normal preview.

For Time-lapse capturing the auto power off time should be longer than the time lapse set. 30 minutes setting is recommended.

Quality

Select **Quality** from the main menu I and choose one of the existing settings. This will change the compression rate of captured images.

Sharpness

Select **Sharpness** from the main menu I and choose one of the existing settings.

Exposure (Brightness)

Select **Exposure** from the main menu I and then select a target value.

Date Stamp

Select **Date Stamp** from the main menu I and then select a target option.

Main menu II

Press Menu button (7) to enter main menu I, and then press it once more to enter main menu II. This section allows you to set the interface language, turn on the power saving mode, change the display frequency, hide or display date and time, set up the TV connection, format the SD card, reset settings and check the hardware version.

Date and time

Select **Date/Time** from the main menu II by Down button (9) and set the current date and time. Press Capture/OK button (8) to confirm entry. You can also choose one of the following date formats: YY/MM/DD, DD/MM/YY or MM/DD/YY. Press Menu button (7) to return to preview mode.

Power saving

Select **Auto Power Off** from the main menu II and set the idle time before the microscope automatically shuts down. Press Capture/OK button (8) to confirm selection.

Language

Select **Language** from the main menu II and choose one of the existing settings. Press Capture/OK button (8) to confirm selection.

TV connection

Select **TV Mode** from the main menu II and then select, between NTSC and PAL, the correct mode compatible with your TV. Press Capture/OK button (8) to confirm selection.

Display frequency

Select **Frequency** from the main menu II and choose one of the existing settings. Press Capture/OK button (8) to confirm selection.

Format microSD card

Select **Format SD** from the main menu II to format the installed memory card. **All the files on the card will be deleted after card formatting.** Normally card formatting is not necessary, unless your card is not able to store the captured image.

Settings reset

Select **Default Setting** from the main menu II to revert back to factory settings.

Hardware version

Select **Version** from the main menu II to check the current hardware version.

File

Photos Directory: set a directory for captured images.

Videos Directory: set a directory for recorded videos.

Options

Resolution: set image resolution.

Date/Time: hide or display date and time of capture during preview.

Language: change the language of the user interface.

XY Guide: hide or display a grid on images.

Full screen mode: go full screen.

Capture

Photo: capture an image.

Video: record a video.



Save as



Copy to clipboard



Copy file



Previous image



Next image



Undo the last action



Repeat the last action



Draw



Text



Measurement



Calibration

Capturing an image

Click the corresponding icon on the toolbar or select **Photo** from the **Capture** menu.

Recording a video

Click the corresponding icon on the toolbar or select **Video** from the **Capture** menu.

Sequence capture

Click the corresponding icon on the toolbar. A dialog window will appear where you can set a number of parameters for sequence capture. Click the **Photo** radio button to set the time to begin capturing images, interval between them and the total number of images. Click the **Video** radio button to set the time to begin recording videos, their duration, interval between them and the total number of clips.

Calibration

Before calibrating the microscope, turn the grid display on. To do so, select **on** from **Options > XY Guide**. By default, the grid is visible. Place the calibration scale on the stage and focus your view. Make sure that the vertical axis of the grid is parallel to scale divisions and capture an image. Double-click the image thumbnail to open it in a separate window.

Click the corresponding icon on the toolbar to begin calibration. Using your mouse, choose two points on the image (you have to know the actual distance between these two points). Once you choose the second point, a dialog window will open, where you have to enter the known distance in the **Actual dimension** field. The application will automatically calculate the magnification of the image. Click **OK** to close the dialog window. The calculated magnification will be displayed in the **Magnification** field.

Note: chosen points should form a horizontal line.

You can check calibration results by measuring the same distance with the **Any Angle Line** tool. Click the measurements icon, choose the **Any Angle Line** tool and draw a similar line on the image. If the measured distance is equal to the actual distance, calibration has been successful.

Recalibration

The calibration process has to be repeated if the magnification or focus has been changed during observations.

Click the corresponding icon on the toolbar again and select **Reset picture magnification** from **Reset magnification**. Repeat the calibration process, as described above. Change the magnification and capture a few images. Double-click one of the thumbnails to open the resulting image in a preview window. Click the calibration icon on the toolbar and select **Set picture magnification** from **Set magnification**. Enter the current magnification in the dialog window that appears and click **OK**.

If you want to use the same magnification when capturing images in the future, click the calibration icon on the toolbar and select **Set capture magnification** from **Set magnification**.

Measurements

It is recommended to calibrate the system before proceeding with measurements.

Any Angle Line. Press and hold the left mouse button to start drawing a line. Release the left mouse button to complete the line.

Continuous Line. Use this tool to draw a curve on the image and measure its length.

Radius Circle. Draw a straight line on the image. The application will automatically calculate the radius, as well as circumference and area of the corresponding circle.

Diameter Circle. Draw a straight line on the image. The application will automatically calculate the diameter, as well as circumference and area of the corresponding circle.

Three Points Angle. Place three points on the image with your mouse. The application will automatically calculate the angle value.

Draw and text

PortableCaptureHD allows you to add drawings and textboxes to your images. Open an image in a preview window and click the **Pencil** icon on the toolbar. Select one of the tools from the drop-down menu and draw something on the image. By clicking the **TT** icon on the toolbar, you can edit font type and color to be used in textboxes.

Working with the application for Mac OS users

Browse to the **mac** folder on the installation CD and copy **PortableCaptureHD** file to the desktop. Use a USB cable to connect the microscope to your computer. Run the PortableCaptureHD application by double-clicking its icon.

A magnified image of the observed specimen may be seen in the main window of the application. From the **Options** menu, select **Preview Size** to set the image resolution. Keep in mind that the preview window cannot be resized (standard resolution is 640x480). The image resolution is shown in the bottom left corner of the preview window.

From the **Options** menu, select **Date/Time** to display or hide the date and time of capture during preview.

Click the corresponding icon on the toolbar or select **Photo** from the **Capture** menu to capture an image. An image thumbnail will appear on the right side of the main window. Click the corresponding icon on the toolbar or select **Video** from the **Capture** menu to start recording a video. A video thumbnail will appear on the right side of the main window.

Note: during recording, the camcorder icon on the toolbar will turn red. Click the icon again to stop recording.

Image and video thumbnails are displayed on the right side of the main window of the application. Double-click an image thumbnail to open it in a separate preview window.

Editing images with PortableCaptureHD application is similar to working with other applications in Mac OS.

From the main menu, select **Quit PortableCaptureHD** to exit the application.

Care and maintenance

Never, under any circumstances, look directly at the Sun, another bright source of light or at a laser through this device, as this may cause **PERMANENT RETINAL DAMAGE** and may lead to **BLINDNESS**. White LEDs are very bright; do not look at them as this may cause permanent damage to your vision. Take necessary precautions when using the device with children or others who have not read or who do not fully understand these instructions. After unpacking your microscope and before using it for the first time check for integrity and durability of every component and connection. Do not try to disassemble the device on your own for any reason. For repairs and cleaning of any kind, please contact your local specialized service center. Protect the device from sudden impact and excessive mechanical force. Do not apply excessive pressure when adjusting focus. Do not overtighten the locking screws. Do not touch the optical surfaces with your fingers. To clean the device exterior, use only special cleaning wipes and special optics cleaning tools from Levenhuk. Abrasive particles, such as sand, should not be wiped off lenses, but instead blown off or brushed away with a soft brush. Do not use the device for lengthy periods of time, or leave it unattended in direct sunlight. Keep the device away from water and high humidity. Be careful during your observations, always replace the dust cover after you are finished with observations to protect the device from dust and stains. If you are not using your microscope for extended periods of time, store the objective lenses and eyepieces separately from the microscope. Store the device in a dry, cool place away from hazardous acids and other chemicals, away from heaters, open fire and other sources of high temperatures. To avoid data loss or equipment damage, always close the application first, and then disconnect the microscope from your PC. Wait until the illumination goes off completely, and disconnect the microscope. **Seek medical advice immediately if a small part or a battery is swallowed.**

Battery safety instructions

Always purchase the correct size and grade of battery most suitable for the intended use. Always replace the whole set of batteries at one time; taking care not to mix old and new ones, or batteries of different types. Clean the battery contacts and also those of the device prior to battery installation. Make sure the batteries are installed correctly with regard to polarity (+ and -). Remove batteries from equipment that is not to be used for an extended period of time. Remove used batteries promptly. Never attempt to recharge primary batteries as this may cause leakage, fire, or explosion. Never short-circuit batteries as this may lead to high temperatures, leakage, or explosion. Never heat batteries in order to revive them. Remember to switch off devices after use. Keep batteries out of the reach of children, to avoid risk of ingestion, suffocation, or poisoning.

Specifications

Megapixels	3
Magnification, x	10–200
Available image resolutions	14M, 8M, 5M, 3M, 2M, WVGA
Available video resolutions	1080P Full HD, 720P, VGA
Photo/video format	*.jpeg / HDMI: *.h264; USB: *.mjpeg
Focusing	manual, 10–500mm
Illumination	8-LED system with variable brightness
Power source	USB 2.0 cable
Software language	English, German, Spanish, Russian, Italian, French, Portuguese, Dutch, Polish, Japanese, Korean, Chinese
Ability to connect additional equipment	support of microSD cards with capacity up to 32GB (not included in the kit)
Operating temperature range, °C / °F	-5...+50 / 32...122

Levenhuk reserves the right to modify or discontinue any product without prior notice.

System requirements

Any monitor with HDMI input; operating system: Windows 7/8/10, Mac 10.7–10.14; CPU: P4 1.8GHz or above; RAM: 512MB; GPU: 64MB; interface: USB 2.0; CD-ROM Drive.

Levenhuk International Lifetime Warranty

All Levenhuk telescopes, microscopes, binoculars and other optical products, except for accessories, carry a **lifetime warranty** against defects in materials and workmanship. Lifetime warranty is a guarantee on the lifetime of the product on the market. All Levenhuk accessories are warranted to be free of defects in materials and workmanship for **six months** from date of retail purchase. The warranty entitles you to free repair or replacement of the Levenhuk product in any country where a Levenhuk office is located if all warranty conditions are met. For further details please visit our web site: www.levenhuk.com/warranty
If warranty problems arise, or if you need assistance in using your product, contact the local Levenhuk branch.

Levenhuk DTX TV

Цифров микроскоп

BG

Никога и при никакви обстоятелства не гледайте директно към Слънцето, друг ярък източник на светлина или лазер през това устройство, тъй като това може да предизвика НЕВЪЗВРАТИМО УВРЕЖДАНЕ НА РЕТИНАТА и може да доведе до СЛЕПОТА.

Части на микроскопа

- | | |
|---|-----------------------------------|
| 1 DC-in & USB порт | 7 Бутон Menu (Меню) |
| 2 HDMI порт | 8 Бутон Capture/OK (Заснемане/OK) |
| 3 Слот за microSD карта | 9 Бутон Down (Надолу) |
| 4 Димер на светодиода | 10 Светодиод |
| 5 Вкл./Изкл. на захранването | 11 Колело за фокусиране |
| 6 Бутон Mode (Режим/
Възпроизвеждане/Снимка) | 12 Линийка с увеличение |
| 13-17 Винтове | |

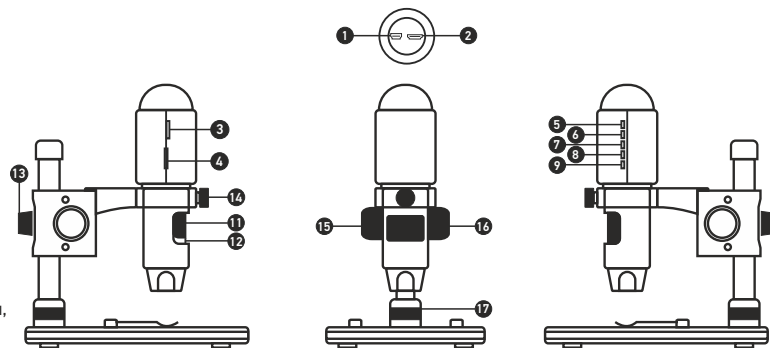
Комплектът включва: Микроскоп, стойка, AC адаптер, USB кабел, HDMI кабел, скала за калибриране, инсталационен компактдиск за Levenhuk DTX, ръководство за потребителя и гаранция

Сглобяване на микроскопа

Извадете от опаковката микроскопа и всички принадлежности. Поставете предметната маса върху стабилна повърхност. Закрепете пръстена за фиксиране на монтирваната към металната тръба на монтирваната. Вкарайте металната тръба в отвора на предметната маса и я фиксирайте на място с пръстена. Вкарайте микроскопа в скобата на рамото на монтирваната и затегнете заключващия винт. Затегнете заключващия бутон, за да фиксирате на място рамото на статива. Поставете образец върху предметната маса и използвайте бутон за грубо регулиране на фокуса (16), за да фокусирате изображението. Използвайте бутон за фино регулиране на фокуса (11) за постигане на максимална точност и отчетливост. След като регулирате фокуса на изображението, затегнете бутон за фиксиране на фокуса (15), за да фиксирате резултатите.

Софтуер PortableCaptureHD

Вкарайте инсталационния компактдиск в устройството за компактдискове. Ще се покаже прозорец с главното меню. Щракнете върху **Install PortableCaptureHD** (Инсталиране на PortableCaptureHD), за да инсталирате приложението, и следвайте инструкциите на екрана. Инсталационният компактдиск съдържа копие на това ръководство за потребителя, което можете да прочетете, като щракнете върху съответния раздел в Главното меню. Свържете микроскопа към компютъра си чрез USB кабел и стартирайте приложението PortableCaptureHD. Изскачащо съобщение ще Ви предупреди, ако микроскопът не е свързан към компютъра.



Заснемане на изображение



Стартиране и спиране на видеозаписа



Последователност на заснемане (можете да задавате времето на началото на заснемане на изображения или видеозаписи, интервалът между тях, продължителността на видеозаписа и броя на изображенията или видеозаписите, което ще бъдат заснети)



Режим „Цял екран“. За да излезете от режима „Цял екран“, натиснете **Escape** (Изход) на Вашата клавиатура или щракнете двукратно някъде върху екрана

Работа с микроскопа

Свързване към телевизор/монитор с вход HDMI

1) Свържете микроскопа към телевизора/монитора, като вкарате HDMI кабела във входния порт за HDMI. Включете захранването на Вашия телевизор/монитор и изберете настройката за HDMI.

2) Подайте захранване към микроскопа с доставения захранващ адаптер. Ако микроскопът не е вече включен, включете захранването чрез натискане на бутона за вкл./изкл. на захранването (5) и след това стартирайте преглеждане на екрана.

Заснемане на изображение

1) Вкарайте microSD карта в слота за microSD (3). Максималният размер на картата е 32 GB.

2) Въртете колелото за фокусиране (11), за да постигнете най-добрия фокус на Вашия обект.

3) Натиснете бутона Capture/OK (Заснемане/OK) (8) на устройството за дистанционно управление на заснемането и снимката ще се запамети в microSD-картата.

Възпроизвеждане

1) Вкарайте microSD карта в слота.

2) Натиснете бутона Mode (Режим/Възпроизвеждане/Снимка) (6) на устройството за дистанционно управление на заснемането, за да превключите на режим „Възпроизвеждане“.

3) Натиснете бутона Down (Надолу) (9), за да видите предходната снимка.

Натиснете бутона Mode (Режим/Възпроизвеждане/Снимка) (6) на устройството за дистанционно управление на заснемането, за да се върнете на „Преглеждане“.

Запис на Вашия компютър

1) Вкарайте microSD карта в слота.

2) Свържете микроскопа към компютъра си чрез USB кабела, за да изтеглите изображения от картата във Вашия компютър.

Предварително преглеждане на компютъра

1) Работи само с инсталирания софтуер.

2) Извадете microSD картата от слота.

3) Свържете микроскопа към компютъра си чрез USB кабела.

Главно меню I

Натиснете бутона Menu (Меню) (7), за да отворите главното меню. От това меню можете да задавате разделителната способност на изображението, да регулирате експозицията, качеството и отчетливостта на изображението, така също да задавате параметрите за последователността на заснемане. Това меню съдържа също функциите Time-lapse (Покадрово) и Date Stamp (Маркировка с датата)

Разделителна способност

От главното меню изберете **Resolution** (Разделителна способност) за изображението или видеозаписа и изберете необходимата разделителна способност чрез натискане на бутона Down (Надолу) (2), след това потвърдете чрез натискане на бутона Capture/OK (Заснемане/OK) (8).

Забележка: *Този модел поддържа следните видове разделителна способност: WVG/2M/3M/5M/8M/14M.*

Покадрово заснемане

От главното меню I, изберете Time-lapse Capture (Покадрово заснемане) и след това влезте в Time setup (Настройка на времето):

Lapse Num (Брой на кадрите): Въведете броя на кадрите, които искате да заснемете чрез бутона Down (Надолу) (9) и променете блока чрез натискане на бутона Mode (Режим/Възпроизвеждане/Снимка) (6). Максималният брой е 999, което означава, че могат да бъдат направени автоматично 999 снимки за избран интервал от време.

Lapse Time (Време между кадрите): Въведете интервала между заснемането на кадрите чрез бутона Down (Надолу) (9) и променете блока чрез натискане на бутона Mode (Режим/Възпроизвеждане/Снимка) (6). Максималният брой е 999, което означава, че максималният интервал между два кадъра е 999 секунди.

Натиснете бутона Capture/OK (Заснемане/OK) (8), за да потвърдите избора и натиснете бутона Menu (Меню) (7) за връщане за предварителен преглед на състоянието. След това натиснете бутона Capture/OK (Заснемане/OK) (8), за да стартирате автоматичното заснемане. В състояние на автоматично заснемане количеството на заснетите изображения се показва в горния десен ъгъл.

След като бъдат заснети кадрите, микроскопът ще се върне към нормален предварителен преглед.

За покадровото заснемане времето за автоматично изключване на захранването трябва да бъде по-дълго от зададеното време между кадрите. Препоръчва се настройка 30 минути.

Качество

От главното меню I изберете **Quality** (Качество) и след това една от съществуващите настройки. Това ще промени степента на компресия на заснетите изображения.

Отчетливост

От главното меню I изберете **Sharpness** (Отчетливост) и след това една от съществуващите настройки.

Експозиция (Ярност)

От главното меню I изберете **Exposure** (Експозиция) и след това изберете планираната стойност.

Маркировка с датата

Изберете от главното меню I **Date Stamp** (Маркировка с датата) и след това изберете планираната опция.

Главно меню II

Натиснете бутона **Menu** (Меню) (7), за да влезете в главно меню I и след това го натиснете още веднъж, за да влезете в главно меню II. Този раздел Ви позволява да зададете езика на интерфейса, да включите режима за пестене на енергия, да промените честотата на дисплея, да скриете или да покажете дата и час, да настроите връзката за телевизор, да форматирате SD картата, да нулирате настройките и да проверите версията на хардуера.

Дата и час

От главно меню II изберете **Date/Time** (Дата/Час) чрез бутона **Down** (Надолу) (9) и настройте текущите дата и час. Натиснете бутона **Capture/OK** (Заснемане/OK) (8), за да потвърдите въвеждането. Можете също да изберете един от следните формати на датата: ГГ/ММ/ДД, ДД/ММ/ГГ или ММ/ДД/ГГ. Натиснете бутона **Menu** (Меню) (7), за да се върнете към режима на прегледане.

Пестене на енергия

От главно меню II изберете **Auto Power Off** (Автоматично изключване на захранването) и задайте времето на изчакване преди автоматичното изключване на микроскопа. Натиснете бутона **Capture/OK** (Заснемане/OK) (8), за да потвърдите избора.

Език

Изберете от главното меню **Language** (Език), след което изберете една от съществуващите настройки. Натиснете бутона **Capture/OK** (Заснемане/OK) (8), за да потвърдите избора.

Свързване към телевизор

Изберете от главното меню **TV Mode** (Режим „Телевизор“) и след това изберете съвместимия с Вашия телевизор режим – NTSC или PAL. Натиснете бутона **Capture/OK** (Заснемане/OK), за да потвърдите избора.

Честота на дисплей

От главното меню II изберете **Frequency** (Честота) и след това една от съществуващите настройки. Натиснете бутона **Capture/OK** (8) (Заснемане/OK), за да потвърдите избора.

Форматиране на microSD карта

Изберете от главното меню **Format SD** (Форматиране на SD), за да форматирате инсталираната карта памет. **При форматирането на картата всички файлове на картата ще бъдат изтрети.** Обикновено не е необходимо форматиране на картата, освен ако запамятаването на заснети изображения на картата Ви е невъзможно.

Нулиране на настройките

Изберете от главното меню **Default Setting** (Настройка по подразбиране), за да се върнете към фабричните настройки.

Версия на хардуера

Изберете от главното меню **Version** (Версия), за да проверите текущата версия на хардуера.

File (Файл)

Photos Directory (Указател на снимките): Задава указател за заснетите изображения.

Videos Directory (Указател на видеозаписите): Задава указател за направените видеозаписи.

Options (Опции)

Resolution (Разделителна способност): Задава разделителната способност.

Date/Time (Дата/Час): скрива или показва датата и часа на заснемането по време на прегледането.

Language (Език): Промяна на езика на потребителския интерфейс.

XY Guide (XY водач): Скрива или извежда на дисплея мрежа на изображенията.

Full screen mode (Режим „Цял екран“): Разгъва изображението на цял екран.

Capture (Заснемане)

Photo (Снимка): Заснемане на изображение.

Video (Видеозапис): Извършва видеозапис.



Запаметяване на то



Копиране в клипборд



Копиране на файл



Предишно изображение



Следващо изображение



Отмяна на последното действие



Повтаряне на последното действие



Чертане



Текст



Размер



Калибриране

Заснемане на изображение

Щракнете върху съответната иконка на лентата с инструменти или изберете **Photo** (Снимка) от менюто **Capture** (Заснемане).

Записване на видео

Щракнете върху съответната иконка на лентата с инструменти или изберете **Video** (Видеозапис) от менюто **Capture** (Заснемане).

Последователност на заснемане

Щракнете върху съответната иконка на лентата с инструменти. Ще се появи диалогов прозорец, където можете да зададете броя на параметрите за последователността на заснемане.

Щракнете върху радио бутона **Photo** (Снимка), за да настроите времето на началото на заснемане на изображения, интервала между тях и общия брой на изображенията. Щракнете върху радио бутона **Video** (Видеозапис), за да настроите времето на началото на правене на видео записи, продължителността им, интервала между тях и общия брой на клиповете.

Калибриране

Преди да калибрирате микроскопа, включете дисплея мрежа. За да направите това, изберете **On** (Вкл.) от **Options** (Опции) > **XY Guide** (XY водач). По подразбиране мрежата се вижда. Поставете скалата за калибриране върху предметната маса и фокусирайте изображението. Уверете се, че вертикалната ос на мрежата е паралелна на деленията на скалата и заснемате изображение. Щракнете два пъти върху миниатюрата на изображението, за да го отворите в отделен прозорец.

Щракнете върху съответната иконка на лентата с инструменти, за да започне калибрирането. С помощта на мишката изберете две точки от изображението (трябва да знаете разстоянието между тези две точки). Щом изберете втората точка ще се отвори диалогов прозорец, където трябва да въведете известното разстояние в полето **Actual dimension** (Действителен размер). Приложението ще изчисли автоматично увеличението на изображението. Щракнете върху **OK**, за да затворите диалоговия прозорец. Изчисленото увеличение ще бъде показано в полето **Magnification** (Увеличение).

Забележка: Избраните точки трябва да формират хоризонтална линия.

Можете да проверите резултатите от калибрирането, като измерите едно и също разстояние с инструмента **Any Angle Line** (Линия под произволен ъгъл). Щракнете върху иконата за размери, изберете инструмента **Any Angle Line** (Линия под произволен ъгъл) и начертайте подобна линия върху изображението. Ако измереното разстояние е равно на действителното разстояние, тогава калибрирането е успешно.

Повторно калибриране

Процесът на калибриране трябва да се повтори, ако по време на наблюденията са се променили увеличението или фокусът.

Щракнете отново върху съответната иконка на лентата с инструменти и изберете **Reset picture magnification** (Нулиране на увеличението на изображението) от **Reset magnification** (Нулиране на увеличението). Повторете процеса на калибриране, както е описано по-горе. Променете увеличението и заснемете няколко изображения. Двукратното щракване върху миниатюрите на изображенията ще отвори съответното изображение в прозорец за предварителен преглед. Щракнете върху иконката за калибриране на лентата с инструменти и изберете **Set picture magnification** (Задаване на увеличението на изображението) от **Set magnification** (Задаване на увеличението). Въведете текущото увеличение в диалоговия прозорец, който се появява, и щракнете върху **OK**.

Ако искате в бъдеще да използвате същото увеличение при заснемане на изображения, тогава щракнете върху иконката за калибриране на лентата с инструменти и изберете **Set capture magnification** (Задаване на увеличението при заснемане) от **Set magnification** (Задаване на увеличението).

Измервания

Препоръчва се да калибрирате системата, преди да продължите с измерванията.

Any Angle Line (Линия под произволен ъгъл). Натиснете и задръжте натиснат левия бутон на мишката, за да започнете да чертаете линия. Отпуснете левия бутон на мишката, за да завършите линията.

Continuous Line (Линия с произволна форма). Натиснете и задръжте натиснат левия бутон на мишката и начертайте линия. Отпуснете левия бутон на мишката, за да завършите сегмента. Можете да продължите да добавяте сегменти към линията с произволна форма.

Radius Circle (Радиус на кръг). Начертайте права линия върху изображението. Приложението ще изчисли автоматично радиуса, както и обиколката и площта на съответния кръг

Diameter Circle (Диаметър на кръг). Начертайте права линия върху изображението. Приложението ще изчисли автоматично диаметъра, както и обиколката и площта на съответния кръг.

Three Points Angle (Триточков ъгъл). Натиснете и задръжте натиснат левия бутон на мишката, за да начертаете линия върху изображението. Отпуснете левия бутон на мишката и начертайте друга линия. Приложението ще изчисли автоматично стойността на получения ъгъл.

Чертане и текст

PortableCaptureHD Ви позволява да добавяте линии и текстови полета към Вашите изображения. Отворете дадено изображение в прозореца за предварителен преглед и щракнете върху иконката **Pencil** (Моливина) лентата инструменти. Изберете един от инструментите от изскачащото меню и начертайте нещо върху изображението. Чрез щракване върху иконката **TT** на лентата с инструменти, Вие можете да редактирате типа и цвета на шрифта, които ще се използват в текстовите полета.

Работа с приложението за потребители на Mac OS

Прегледайте папката mac на инсталационния компактдиск и копирайте файла **PortableCaptureHD** на работния плот. Използвайте USB кабел за свързване на микроскопа към Вашия компютър. Стартирайте приложението PortableCaptureHD чрез двукратно щракване върху иконката му.

Увеличено изображение на наблюдавания образец може да се види в основния прозорец на приложението. От менюто **Options** (Опции) изберете **Preview Size** (Размер на предварителния преглед), за да зададете разделителната

способност на изображението. Имайте предвид, че размерът на прозореца за предварителен преглед не може да се променя (стандартната разделителна способност е 640x480). Разделителната способност на изображението е показана в долния ляв ъгъл на прозореца за предварителен преглед.

От менюто **Options** (Опции) изберете **Date/Time** (Дата/Час), за да се покажат или скрият датата и часа на заснемането по време на предварителния преглед.

Щракнете върху съответната иконка на лентата с инструменти или изберете **Photo** (Снимка) от менюто **Capture** (Заснемане), за да заснемете изображение. От дясната страна на основния прозорец ще се появи миниатюра на заснетото изображение. Щракнете върху съответната иконка на лентата с инструменти или изберете **Video** (Видеозапис) от менюто **Capture** (Заснемане), за да стартирате запис на видео. От дясната страна на основния прозорец ще се появи миниатюра на заснетото видео.

Забележка: По време на записа иконката на камкордера на лентата с инструменти ще свети в червено. Щракнете отново върху иконката, за да спрете да записвате.

Миниатюра на изображения и видео материали се показват от дясната страна на основния прозорец на приложението. Щракнете два пъти върху миниатюрата на изображението, за да го отворите в отделен прозорец за предварителен преглед. Редактирането с приложението PortableCaptureHD е подобно на работата с другите приложения в Mac OS.

От главното меню изберете **Quit PortableCaptureHD** (Изход на PortableCaptureHD), за да напуснете приложението.

Грижи и поддръжка

Никога и при никакви обстоятелства не гледайте директно към слънцето, друг ярък източник на светлина или лазер през това устройство, тъй като това може да предизвика ПЕРМАНЕНТНО УВРЕЖДАНЕ НА РЕТИНАТА и може да доведе до СЛЕПОТА. Предприемете необходимите превантивни мерки при използване на това устройство от деца или други, които не са прочели или които не са разбрали напълно тези инструкции. След като разопаковате Вашия микроскоп и преди да го използвате за първи път, проверете дали всички компоненти и връзки са здрави и с ненарушена цялост. Не се опитвайте да разглобявате устройството самостоятелно. За всякакви ремонти се обръщайте към местния специализиран сервизен център. Предпазвайте устройството от внезапни удари и прекомерна механична сила. Не прилагайте прекомерен натиск при настройване на фокусирането. Не пренатягайте заключващите винтове. Не пипайте повърхностите на оптиката с пръсти. За почистване на отвън, използвайте само специални нъпички и течности за почистване на оптика от Levenhuk. Не използвайте корозивни течности или такива на основата на ацетон за почистване на оптиката. Абразивните частици, като напр. пясък, не трябва да бъдат забърсвани от лещите, а трябва да бъдат издухвани или изчетквани с мека четка. Не използвайте

устройството за продължителни периоди от време и не го оставяйте без надзор на директна слънчева светлина. Пазете устройството далече от вода и висока влажност. Бъдете внимателни по време на наблюдения, винаги поставяйте покривалото против прах обратно на мястото му, след като сте приключили с наблюдението, за да предпазите устройството от прах и поява на петна. Ако не използвате Вашия микроскоп за продължителни периоди от време, съхранявайте лещите на обектива и окулярите отделно от микроскопа. Съхранявайте устройството на сухо и хладно място, далеч от опасни киселини и други химикали, далеч от отоплителни уреди, открит огън и други източници на високи температури. Когато използвате микроскопа, опитайте да не го използвате в близост до запалими материали или вещества (бензен, хартия, картон, пластмаса и т.н.), тъй като основата може да се нагрее по време на употреба и може да възникне опасност от пожар. Винаги изключвайте микроскопа от източника на захранване, преди да отворите основата или да смените осветителната лампа. Независимо от вида на лампата (халогенна или с нажежаема жичка) я оставете да се охладите за кратко, преди да опитате да я смените, и винаги я сменяйте с лампа от същия тип. Винаги използвайте захранване с подходящо напрежение, т.е. посоченото в спецификациите на Вашия нов микроскоп. Включването на инструмента в електрически контакт с различно напрежение ще повреди електрическата верига на микроскопа, ще изгори лампата или може дори да причини късо съединение. **Потърсете веднага медицинска помощ, ако погълнете малка част или батерия.**

Инструкции за безопасност на батериите

Винаги купувайте батерии с правилния размер и характеристики, които са най-подходящи за предвидената употреба. Винаги сменяйте всички батерии едновременно, като внимавате да не смесите стари и нови или батерии от различен тип. Почистете контактите на батериите, както и тези на устройството, преди да поставите батериите. Уверете се, че батериите са поставени правилно по отношение на полярността (+ и -). Извадете батериите от оборудването, ако то няма да бъде използвано продължителен период от време. Извадете използваните батерии незабавно. Никога не се опитвайте да презареждате първоначалните батерии, тъй като това може да предизвика теч, пожар или експлозия. Никога не свързвайте батерии нахъсо, тъй като това може да доведе до високи температури, теч или експлозия.

Спецификации

Мегапиксела	3
Увеличение, x	10–200
Резолюция на фото	14M, 8M, 5M, 3M, 2M, WVGA
Резолюция на видео	1080P Full HD, 720P, VGA
Формат на изображениято/видео	*.jpeg/HDMI: *.h264; USB: *.tjpeg
Фокусиране	ръчно, 10–500 mm
Осветление	система с 8 светодиода с променлива яркост
Захранване	USB 2.0 кабел
Език на софтуера	английски, немски, испански, руски, италиански, френски, португалски, нидерландски, полски, японски, корейски, китайски
Възможност за свързване на допълнително оборудване	поддържа microSD карти с обем до 32 GB (не са включени в комплекта)
Диапазон на работната температура, °C	–5...+50

Levenhuk си запазва правото да променя или да преустанови предлагането на продукта без предварително уведомление.

Изисквания към системата

Монитор: всеки монитор с вход HDMI; операционна система: Windows 7/8/10, Mac 10.7–10.14; процесор: P4 1,8 GHz или по-моцнен; RAM: 512 MB; графичен процесор: 64 MB; интерфейс: USB 2.0; устройство CD-ROM.

Международна доживотна гаранция от Levenhuk

Всички телескопи, микроскопи, бинокли и други оптични продукти от Levenhuk, с изключение на аксесоарите, имат **доживотна гаранция** за дефекти в материалите и изработката. Доживотната гаранция представлява гаранция, валидна за целия живот на продукта на пазара. За всички аксесоари Levenhuk се предоставя гаранция за липса на дефекти на материалите и изработката за период от **две години** от датата на покупка на дребно. Гаранцията Ви дава право на безплатен ремонт или подмяна на продукта Levenhuk във всяка страна, в която има офис на Levenhuk, ако са изпълнени всички гаранционни условия. За повече информация посетете нашата уебстраница: www.levenhuk.bg/garantsiya Ако възникнат проблеми с гаранцията или ако се нуждаете от помощ за използването на Вашия продукт, свържете се с местния представител на Levenhuk.

Levenhuk DTX TV

Digitální mikroskop

CZ

Části mikroskopu

- | | | | |
|-------|------------------------|----|-------------------------|
| 1 | Vstup DC + zdiřka USB | 7 | Menu |
| 2 | Zdiřka HDMI | 8 | Capture/OK (Snímání/OK) |
| 3 | Slot pro kartu microSD | 9 | Down (Dolů) |
| 4 | LED reostat | 10 | LED |
| 5 | Hlavní vypínač | 11 | Zaostřovací kolečko |
| 6 | Mode (Playback/Photo) | 12 | Měřitko zvětšení |
| 13-17 | Šrouby | | |

Sada obsahuje: Digitální mikroskop, stojan mikroskopu, AC adaptér, USB kabel, HDMI kabel, kalibrační stupnice, CD se softwarem, návod k použití.

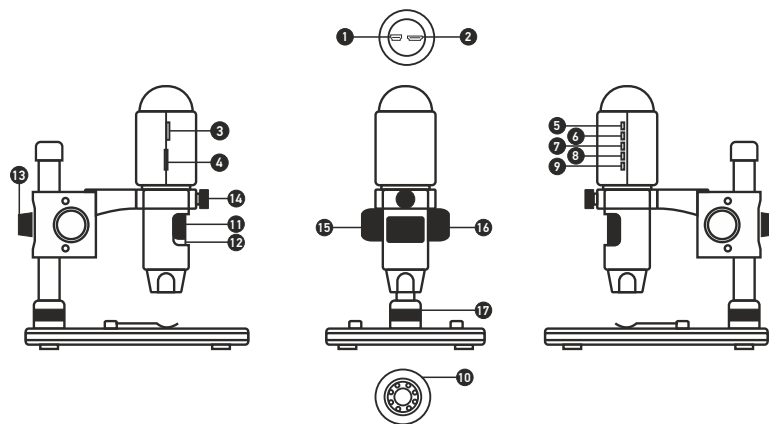
Montáž mikroskopu

Vyjměte mikroskop a veškeré příslušenství z obalu. Pracovní stůl umístěte na stabilní plochu. Na kovovou trubici stativu připevněte pojistný kroužek stativu (17). Kovovou trubici vložte do otvoru v pracovním stolku a pomocí kroužku (17) ji zajistěte na místě. Vložte mikroskop do upínací koncovky na rameni stativu a utáhněte aretační šroub (14). Utažením aretačního knoflíku (13) upevněte stativ na místě. Na pracovní stůl položte preparát a pomocí šroubu hrubého zaostření (16) proveďte hrubé zaostření obrazu. Pomocí šroubu jemného zaostření (11) obraz doostřete na maximální přesnost a ostrost. Po zaostření obrazu utažením šroubu aretace zaostření (15) zafixujte výsledek.

Práce s aplikací PortableCaptureHD

Do CD jednotky svého počítače vložte instalační CD. Zobrazí se okno hlavní nabídky. Kliknutím na položku **Install PortableCaptureHD** (Nainstalujte PortableCaptureHD) spusťte instalaci aplikace a postupujte podle pokynů na obrazovce. Instalační CD obsahuje kopii této uživatelské příručky, kterou můžete otevřít kliknutím na odpovídající položku v hlavní nabídce. Pomocí USB kabelu připojte mikroskop k počítači a spusťte aplikaci PortableCaptureHD. Není-li k počítači připojen mikroskop, otevře se okno se upozorněním.

Nikdy, za žádných okolností se tímto přístrojem nedívejte přímo do slunce, jiného světelného zdroje nebo laseru, neboť hrozí nebezpečí TRVALÉHO POŠKOZENÍ SÍTNICE a případně i OSLEPNUTÍ.



Snímat statický obraz



Zahájit a ukončit nahrávání videozáznamu



Snímat sekvenci (můžete nastavit dobu zahájení pořizování statických snímků nebo videozáznamu, interval mezi nimi, délku videozáznamu a počet statických snímků nebo videozáznamů, jež se mají pořídít)



Režim celé obrazovky. Režim celé obrazovky můžete ukončit stisknutím klávesy **Escape** (Uniknout) na klávesnici nebo dvojitým kliknutím na obrazovku

Jak mikroskop používat

Připojení k TV/monitoru prostřednictvím HDMI vstupu

- 1) HDMI kabelem připojte mikroskop k TV/monitoru prostřednictvím HDMI vstupu. Zapněte TV/monitor a nastavte vstup HDMI.
- 2) Pomocí dodaného síťového adaptéru zapojte mikroskop do zásuvky. Pokud není mikroskop zapnutý, zapněte ho hlavním vypínačem (5) a můžete začít sledovat obraz na obrazovce TV/monitoru.

Pořizování snímků

- 1) Vložte kartu microSD do slotu pro kartu microSD (3). Max. velikost karty: 32 GB.
- 2) Otáčejte zaostřovacím kolečkem (11), abyste co nejlépe zaostřili obraz pozorovaného objektu.
- 3) Stiskněte tlačítko Capture/OK (Snímání/OK) (8) a zachycený snímek se uloží na vloženou kartu microSD.

Přehrávání

- 1) S kartou microSD ve slotu.
- 2) Stisknutím tlačítka Mode (6) přepněte do režimu přehrávání.
- 3) Stisknutím tlačítka Down (Dolů) (9) přejdete na předchozí uloženou fotografii. Dalším stisknutím tlačítka Mode (6) se vrátíte do aktuálního náhledu.

Hromadné ukládání do PC

- 1) S kartou microSD ve slotu.
- 2) USB kabelem připojte mikroskop k počítači a poté můžete zkopírovat uložené snímky do PC.

Náhled na PC

- 1) Funguje pouze s nainstalovaným podporovaným softwarem.
- 2) Vyjměte ze slotu kartu microSD.
- 3) USB kabelem připojte mikroskop k PC.

Hlavní menu I

Stisknutím tlačítka Menu (7) otevřete hlavní menu. Z tohoto menu můžete nastavit rozlišení obrazu, expozici, kvalitu a ostrost snímků nebo parametry pro sekvence snímků. Toto menu obsahuje také funkce Time-lapse (Časosběr) a Date Stamp (Časové razítko).

Resolution (Rozlišení)

Z hlavního menu I zvolte položku **Resolution** (Rozlišení) a stisknutím tlačítka Down (Dolů) (9) vyberte požadované rozlišení obrazu; volbu potvrďte tlačítkem Capture/OK (Snímání/OK) (8).

Poznámka: Tento model podporuje následující rozlišení: WVGA/2M/3M/5M/8M/14M.

Time-lapse Capture (Časosběrný záznam)

Z hlavního menu I zvolte funkci **Time-lapse Capture** (Časosběrný záznam) a zadejte časové nastavení:

Lapse Num (Počet snímků): Tlačítkem Down (Dolů) (9) zadejte množství požadovaných snímků, blok změňte stisknutím tlačítka Mode (6). Maximální počet snímků je 999, což znamená, že během nastavené doby časosběru (Lapse Time) bude po aktivování funkce Capture automaticky zaznamenáno 999 snímků.

Lapse Time (Doba časosběru): Tlačítkem Down (Dolů) (9) zadejte časový interval pro záznam snímků, blok změňte stisknutím tlačítka Mode (6). Maximální nastavení je 999, což znamená, že časový interval pro každý záznam je 999 sekund.

Tlačítkem Capture/OK (Snímání/OK) (8) vyběr potvrdíte a stisknutím tlačítka Menu (7) se vrátíte do aktuálního náhledu. Automaticky záznam spustíte tlačítkem Capture/OK (Snímání/OK) (8). V režimu automatického záznamu se v pravém horním rohu zobrazuje počet zbývajících snímků.

Po dokončení všech snímků se mikroskop vrátí do normálního náhledu.

Při časosběrném záznamu by měl být časovač vypnutí mikroskopu delší než nastavená doba časosběru. Doporučené nastavení je 30 minut.

Quality (Kvalita)

Z hlavního menu I zvolte položku **Quality** (Kvalita) a vyberte jedno z dostupných nastavení. Tímto nastavením změňte stupeň komprese zachycených snímků.

Sharpness (Ostrost)

Z hlavního menu I zvolte položku **Sharpness** (Ostrost) a vyberte jedno z dostupných nastavení.

Exposure (Expozice)

Z hlavního menu I zvolte položku **Exposure** (Expozice) a poté vyberte cílovou hodnotu.

Date Stamp (Časové razítko)

Z hlavního menu I zvolte položku **Date Stamp** (Časové razítko) a poté vyberte cílovou možnost.

Hlavní menu II

Stisknutím tlačítka Menu (7) přejděte do hlavního menu I a poté opakovaným stisknutím tlačítka do hlavního menu II. V této části lze nastavit jazyk uživatelského rozhraní, zapnout úsporný režim, změnit kmitočet displeje, skryt nebo zobrazit datum a čas, nastavit připojení k TV, naformátovat SD kartu, obnovit tovární nastavení a zkontrolovat verzi hardwaru.

Date and time (Datum a čas)

Tlačítkem Down (Dolů) (9) zvolte z hlavního menu II položku **Date/Time** (Datum/čas) a zadejte aktuální datum a čas. Zadaní potvrďte tlačítkem Capture/OK (Snímání/OK) (8). Vybrat zde můžete rovněž některý z těchto formátů data: RR/MM/DD, DD/MM/RR nebo MM/DD/RR.

Stisknutím tlačítka Menu (7) se vrátíte do aktuálního náhledu.

Automatické vypnutí

Z hlavního menu II zvolte položku **Auto Power Off** (Automatické vypnutí) a nastavte dobu nečinnosti, po níž se mikroskop automaticky vypne. Výběr potvrďte tlačítkem Capture/OK (Snímání/OK) (8).

Language (Jazyk)

Z hlavního menu II zvolte položku **Language** (Jazyk) a vyberte jedno z dostupných nastavení. Výběr potvrďte tlačítkem Capture/OK (Snímání/OK) (8).

TV Mode (Režim TV)

Z hlavního menu II zvolte položku **TV Mode** (Režim TV) a poté vyberte správný režim, kompatibilní s vašim televizorem: NTSC, nebo PAL. Výběr potvrďte tlačítkem Capture/OK (Snímání/OK) (8).

Frequency (Kmitočety)

Z hlavního menu II zvolte položku **Frequency** (Kmitočety) a vyberte jedno z dostupných nastavení. Výběr potvrďte tlačítkem Capture/OK (Snímání/OK) (8).

Format microSD card (Formátovat kartu microSD)

Chcete-li zformátovat nainstalovanou paměťovou kartu, zvolte z hlavního menu II položku **Format SD** (Formátovat kartu SD). **Všechny soubory na kartě budou při formátování smazány.** Formátovat kartu není normálně nutné, dokud na ni lze ukládat zachycené snímky.

Settings reset (Tovární nastavení)

Chcete-li obnovit tovární nastavení, zvolte z hlavního menu II položku **Default Setting** (Výchozí nastavení).

Hardware version (Verze hardwaru)

Chcete-li zkontrolovat aktuální verzi hardwaru, zvolte z hlavního menu II položku **Version** (Verze hardwaru).

File (Soubor)

Photos Directory (Složka pro fotografie): Nastavení složky k ukládání pořízených snímků.

Videos Directory (Složka pro videozáznamy): Nastavení složky k ukládání pořízených videozáznamů.

Options (Možnosti)

Resolution (Rozlišení): Nastavení rozlišení obrazu.

Date/Time (Datum/čas): Během náhledu zobrazí nebo skryje datum a čas pořízení.

Language (Jazyk): Změna jazyka uživatelského rozhraní.

XY Guide (Mřížka): Zobrazí nebo skryje mřížku na snímcích.

Full screen mode (Režim celé obrazovky): Přechod do režimu plné obrazovky.

Capture (Snímání)

Photo (Photo): Snímání statického obrazu.

Video (Video): Pořízení videozáznamu.



Uložit jako



Nakreslit



Kopírovat do schránky



Text



Kopírovat soubor



Měření



Předchozí snímek



Kalibrace



Další snímek



Vrátit zpět poslední činnost



Opakovat poslední činnost

Snímání obrazu

Klikněte na příslušnou ikonu v panelu nástrojů nebo v nabídce **Capture** (Snímání) zvolte možnost **Photo** (Photo).

Pořizování videozáznamů

Klikněte na příslušnou ikonu v panelu nástrojů nebo v nabídce **Capture** (Snímání) zvolte možnost **Video** (Video).

Zachycování sekvencí

Klikněte na příslušnou ikonu v panelu nástrojů. Otevře se dialogové okno, v němž můžete nastavit řadu parametrů pro snímání sekvencí. Klikněte na přepínač **Photo** (Photo) a nastavte čas zahájení pořizování snímků, interval mezi nimi a celkový počet snímků. Klikněte na přepínač **Video** (Video) a nastavte dobu zahájení nahrávání videozáznamů, jejich délku, interval mezi nimi a celkový počet videosnímků.

Kalibrace

Před zahájením kalibrace mikroskopu zapněte zobrazení mřížky. To se provede volbou možnosti **On** (Zapnuto) v nabídce **Options** (Možnosti) > **XY Guide** (Mřížka). Ve výchozím nastavení se mřížka zobrazuje. Na pracovní stolek položte kalibrační stupnici a zaostřete obraz. Ujistěte se, zda je vísavá osa mřížky souběžná s dílkou stupnice, a poříďte snímek. Dvojitým kliknutím na náhled obrázku jej otevřete v samostatném okně. Kliknutím na příslušnou ikonu v panelu nástrojů zahajete kalibraci. Pomocí myši zvolte dva body na snímku (musíte znát skutečnou vzdálenost mezi těmito body). Jakmile vyberete druhý bod, otevře se dialogové okno, kde do pole **Actual dimension** (Skutečný rozměr) zadáte známou vzdálenost. Aplikace automaticky vypočte zvětšení obrazu. Tlačítkem **OK** dialogové okno zavřete. Vypočtené zvětšení se zobrazí v poli **Magnification** (Zvětšení).

***Poznámka:** Vybrané body by měly být ve vodorovné linii.*

Výsledky kalibrace můžete zkontrolovat tak, že stejnou vzdálenost změříte pomocí nástroje **Any Angle Line** (Čára v libovolném úhlu). Klikněte na ikonu měření, zvolte nástroj **Any Angle Line** (Čára v libovolném úhlu) a na snímku nakreslete podobnou čáru. Je-li naměřená vzdálenost stejná jako skutečná, proběhla kalibrace úspěšně.

Rekalibrace

Došlo-li během pozorování ke změně hodnoty zvětšení nebo zaostření, kalibrační proces je nutné zopakovat.

Klikněte znovu na příslušnou ikonu na panelu nástrojů a z nabídky **Reset magnification** (Resetovat zvětšení) zvolte možnost **Reset picture magnification** (Resetovat zvětšení obrazu). Výše uvedeným postupem opakujte proces kalibrace. Změňte hodnotu zvětšení a poříďte několik snímků. Dvojitým kliknutím na náhledy otevřete výsledný snímek k nahlédnutí v samostatném okně. V panelu nástrojů klikněte na ikonu kalibrace a z nabídky **Set magnification** (Nastavit zvětšení) zvolte možnost **Set picture magnification** (Nastavit zvětšení obrazu). V dialogovém okně, které se otevře, zadejte aktuální zvětšení a klikněte na tlačítko **OK**. Chcete-li při pořizování snímků v budoucnu použít stejné zvětšení, klikněte na ikonu kalibrace a v nabídce **Set magnification** (Nastavit zvětšení) zvolte možnost **Set capture magnification** (Nastavit zvětšení při snímání).

Měření

Před zahájením měření doporučujeme provést kalibraci systému.

Any Angle Line (Čára v libovolném úhlu). Chcete-li začít kreslit čáru, stiskněte a přidržte levé tlačítko myši. Čáru ukončíte uvolněním levého tlačítka myši.

Continuous Line (Souvislá čára). Pomocí tohoto nástroje můžete na snímku nakreslit křivku a změřit její délku.

Radius circle (Poloměr kruhu). Na snímku nakreslete přímkou. Aplikace automaticky vypočte poloměr, obvod a plochu odpovídajícího kruhu.

Diameter circle (Průměr kruhu). Na snímku nakreslete přímkou. Aplikace automaticky vypočte průměr, obvod a plochu odpovídajícího kruhu.

Three Points Angle (Úhel ze tří bodů). Pomocí myši umístěte na snímku tři body. Aplikace automaticky vypočte hodnotu úhlu.

Kreslení a text

Aplikace PortableCaptureHD umožňuje do snímků přidávat kresby nebo textová pole. Snímek otevřete v okně náhledu a v panelu nástrojů klikněte na ikonu **Pencil** (Tužka). Vyberte jeden z nástrojů v rozbalovací nabídce a něco na snímek nakreslete. Po kliknutí na ikonu **TT** v panelu nástrojů můžete upravit typ a barvu písma, které se bude používat v textových polích.

Práce s aplikací v prostředí Mac OS

Na instalačním CD přejděte do složky **mac** a na plochu počítače zkopírujte soubor **PortableCaptureHD**. Pomocí kabelu USB mikroskop připojte k počítači. Dvojitým kliknutím na ikonu PortableCaptureHD spustíte aplikaci.

Zvětšený obraz pozorovaného preparátu lze pozorovat v hlavním okně aplikace. V nabídce **Options** (Možnosti) zvolte možnost **Preview Size** (Velikost náhledu) a nastavte rozlišení obrazu. Mějte na paměti, že velikost okna náhledu nelze měnit (standardní rozlišení je 640x480). Hodnota rozlišení obrazu se zobrazuje v levém dolním rohu okna náhledu.

V nabídce **Options** (Možnosti) zvolte možnost **Date/Time** (Datum/čas), pomocí níž lze během náhledu zobrazit nebo skrýt datum a čas pořízení snímku.

Klikněte na příslušnou ikonu v panelu nástrojů nebo v nabídce **Capture** (Snímání) zvolte možnost **Photo** (Foto). Na pravé straně hlavního okna se zobrazí náhled snímku. Klikněte na příslušnou ikonu v panelu nástrojů nebo v nabídce **Capture** (Snímání) zvolte možnost **Video** (Video).

***Poznámka:** Během nahrávání se barva ikona kamery v panelu nástrojů změní na červenou. Dalším kliknutím na tuto ikonu nahrávání ukončíte.*

Náhledy statických snímků i videozáznamů se zobrazují na pravé straně hlavního okna aplikace. Dvojitým kliknutím na náhled obrázku jej otevřete v samostatném okně náhledu.

Úpravy obrázků pomocí aplikace PortableCaptureHD se provádějí obdobně jako při práci s jinými aplikacemi v systému Mac OS.

Aplikaci ukončíte kliknutím na položku **Quit PortableCaptureHD** (Ukončit PortableCaptureHD) v hlavní nabídce.

Péče a údržba

Nikdy, za žádných okolností se tímto přístrojem neďevíte přímo do slunce, jiného světelného zdroje nebo laseru, neboť hrozí nebezpečí TRVALÉHO POŠKOZENÍ SÍTNICE a případně i OSLEPNUTÍ. Bílé LED žárovky jsou velmi jasné; neďevíte se přímo do nich, hrozí nebezpečí trvalého poškození zraku. Při použití tohoto přístroje dětmi nebo osobami, které tento návod nečetly nebo s jeho obsahem nebyly plně srozuměny, uplatněte nezbytná preventivní opatření. Nepokoušejte se přístroj sami rozebírat. S opravami veškerého druhu se obračejte na své místní specializované servisní středisko. Po vybalení mikroskopu a před jeho prvním použitím zkontrolujte neporušenost jednotlivých komponent a spojů. Nedotýkejte se svými prsty povrchů optiky. K vyčištění čoček můžete použít měkký ubrousek nebo čistící utěrku navlhčené v éteru, případně v čistém alkoholu. Doporučujeme používat speciální čistící prostředky na optiku značky Levenhuk. K čištění optiky nepoužívejte žádné žíraviny ani kapaliny na acetonové bázi. Abrasivní částice, například písek, by se neměly z čoček otírat, ale sfouknout nebo smést měkkým kartáčkem. Při zaostřování nevyvíjejte nadměrný tlak. Neutahujte šrouby konstrukce příliš silně. Přístroj chraňte před prudkými nárazy a nadměrným mechanickým namáháním. Přístroj ukládejte na suchém, chladném místě, mimo dosah možných zdrojů prachu, nebezpečných kyselin nebo jiných chemikálií, topných těles, otevřeného ohně a jiných zdrojů vysokých teplot. Přístroj příliš dlouho nepoužívejte ani neponechávejte bez dozoru na přímém slunci. Chraňte přístroj před stykem s vodou. Při pozorování dbejte na opatrnost; po skončení pozorování vždy nasadte ochranný kryt, abyste mikroskop ochránili před prachem a jiným znečištěním. Pokud svůj mikroskop nebudete delší dobu používat, uložte čočky objektivu a okuláru odděleně od samotného mikroskopu. Chcete-li předejít ztrátě dat nebo poškození zařízení, vždy nejprve zavřete aplikaci a teprve poté odpojte mikroskop od svého počítače. Počkejte, až osvětlení zcela zhasne, a pak odpojte mikroskop. Při náhodném požití malé součásti nebo baterie ihned vyhledejte lékařskou pomoc.

Bezpečnostní pokyny týkající se baterií

Vždy nakupujte baterie správné velikosti a typu, které jsou nevhodnější pro zamýšlený účel. Při výměně vždy nahrazujte celou sadu baterií a dbejte na to, abyste nemíchali staré a nové baterie, případně baterie různých typů. Před instalací baterií vyčistěte kontakty na baterii i na přístroji. Ujistěte se, zda jsou baterie instalovány ve správné polaritě (+ resp. -). V případě, že zařízení nebudete delší dobu používat, vyjměte z něj baterie. Použité baterie včas vyměňujte. Baterie se nikdy nepokoušejte dobíjet, mohlo by dojít k úniku obsahu baterie, požáru nebo k explozi. Baterie nikdy nezkratujte, mohlo by to vést ke zvýšení teploty, úniku obsahu baterie nebo k explozi. Baterie se nikdy nepokoušejte oživit zahříváním. Po použití nezapomeňte přístroj vypnout. Baterie uchovávejte mimo dosah dětí, abyste předešli riziku spolknutí, vdechnutí nebo otravy.

Technické údaje

Megapixelů	3
Zvětšení, x	10–200
Dostupná rozlišení obrazu	14M, 8M, 5M, 3M, 2M, WVGA
Dostupná rozlišení videozáznamů	1080P Full HD, 720P, VGA
Foto/Video	*.jpeg / HDMI: *.h264; USB: *.mjpeg
Zaostření	ruční, 10–500 mm
Osvětlení	systém s 8 LED žárovkami, s regulací jasu
Napájení	USB 2.0 kabel
Jazyk software	angličtina, němčina, španělština, ruština, italština, francouzština, portugálština, holandština, polština, japonština, korejština, čínština
Možnost připojení dalších zařízení	podpora karet microSD o kapacitě až 32 GB (není součástí sady)
Rozsah provozních teplot, °C	-5...+50

Společnost Levenhuk si vyhradzuje právo provádět bez předchozího upozornění úpravy jakéhokoliv výrobku, případně zastavit jeho výrobu.

Systémové požadavky

Monitor: libovolné zobrazovací zařízení se vstupem HDMI; operační systém: Windows 7/8/10, Mac verze 10.7–10.14; CPU: minimálně P4 1,8 Ghz; RAM: 512 MB; GPU: 64 MB; rozhraní: USB 2.0; CD-ROM.

Mezinárodní doživotní záruka Levenhuk

Na veškeré teleskopy, mikroskopy, triedy a další optické výrobky značky Levenhuk, s výjimkou příslušenství, se poskytuje doživotní záruka pokrývající vady materiálu a provedení. Doživotní záruka je záruka platná po celou dobu životnosti produktu na trhu. Na veškeré příslušenství značky Levenhuk se poskytuje záruka toho, že je dodáváno bez jakýchkoli vad materiálu a provedení, a to po dobu dvou let od data zakoupení v maloobchodní prodejně. Tato záruka vám v případě splnění všech záručních podmínek dává nárok na bezplatnou opravu nebo výměnu výrobku značky Levenhuk v libovolné zemi, v níž se nachází pobočka společnosti Levenhuk. Další informace – navštivte naše webové stránky: www.levenhuk.cz/zaruka

V případě problémů s uplatněním záruky, nebo pokud budete potřebovat pomoc při používání svého výrobku, obraťte se na místní pobočku společnosti Levenhuk.

Levenhuk DTX TV

Digitales Mikroskop

DE

Richten Sie das Instrument unter keinen Umständen direkt auf die Sonne, andere helle Lichtquellen oder Laserquellen. Es besteht die Gefahr DAUERHAFTER NETZZHAUTSCHÄDEN und ERBLINDUNGSEGEFAHR.

Mikroskopkomponenten

- | | |
|--|----------------------------|
| 1 Gleichstromeingang und USB-Schnittstelle | 7 Menu (Menü) |
| 2 HDMI-Schnittstelle | 8 Capture/OK (Aufnahme/OK) |
| 3 MicroSD-Einschub | 9 Down (Abwärts) |
| 4 LED-Dimmer | 10 LED |
| 5 Button Power on/off (Ein/Aus) | 11 Fokussierrad |
| 6 Mode (Modus/Wiedergabe/Foto) | 12 Vergrößerungslineal |
| | 13-17 Schrauben |

Lieferumfang: Digitales Mikroskop, Mikroskopständer, Stromnetzadapter, USB-Kabel, HDMI-Kabel, Kalibrierungsskala, Software-CD, Bedienungsanleitung.

Zusammenbau des Mikroskops

Nehmen Sie das Mikroskop und alles Zubehör aus der Verpackung. Platzieren Sie den Objektstisch auf einer stabilen Oberfläche. Bringen Sie den Montierungs-Verschlussring (17) an dem Metallrohr der Montierung an. Führen Sie das Metallrohr in die Öffnung auf dem Objektstisch ein und fixieren Sie es mit dem Ring (17). Führen Sie das Mikroskop in die Klemme am Arm der Montierung ein und ziehen Sie die Arretierschraube (14) an. Fixieren Sie den Arm der Montierung, indem Sie den Arretierknopf (13) festziehen. Legen Sie eine Probe auf den Objektstisch und stellen Sie das Bild mit dem Grobfokussierknopf (16) scharf. Für optimale Präzision und Schärfe können Sie die Einstellung mit dem Feinfokussierknopf (11) nachregeln. Wenn das Bild scharfgestellt ist, ziehen Sie den Fokus-Arretierknopf (15) an, um die Scharfstellung zu arretieren.

Softwareinstallation

Legen Sie die Installations-CD ins CD-Laufwerk ein. Das Hauptmenü wird angezeigt. Klicken Sie auf „PortableCaptureHD“, um die Anwendung zu installieren, und folgen Sie den angezeigten Anweisungen. Schließen Sie das Mikroskop mit einem USB-Kabel an Ihren PC an und starten Sie die Anwendung „PortableCaptureHD“. Ist das Mikroskop nicht an den PC angeschlossen, erscheint eine Warnmeldung.

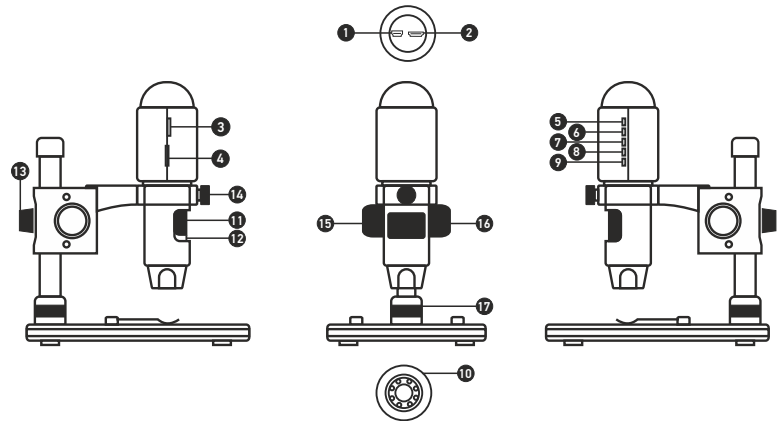


Bild aufnehmen



Videoaufnahme starten und stoppen



Aufnahmereihe (Startzeitpunkt, Intervall zwischen den einzelnen Bildern bzw. Videos, Videodauer und Anzahl der aufzunehmenden Bilder bzw. Videos sind wählbar)



Vollbildansicht. Zum Verlassen der Vollbildansicht Esc (Flucht) drücken oder irgendwo auf dem Bildschirm doppelklicken

Bedienung des Mikroskops

An Fernseher/Monitor mit HDMI-Eingang anschließen

1. Schließen Sie das Mikroskop mit dem HDMI-Kabel an den Fernseher/Monitor mit HDMI-Eingang an. Schalten Sie den Fernseher/Monitor ein und wählen Sie den HDMI-Eingang als Quelle aus.
2. Betreiben Sie das Mikroskop mit dem mitgelieferten Netzteil. Schalten Sie das Mikroskop gegebenenfalls mit der Taste Power on/off (Ein/Aus) (5) ein. Danach können Sie die Vorschau starten.

Foto aufnehmen

1. Setzen Sie eine microSD-Karte in den microSD-Einschub (3) ein. Max. Kartengröße: 32 GB.
2. Drehen Sie das Fokussierrad (11) und stellen Sie damit das Bild scharf.
3. Drücken Sie die Taste Capture/OK (Aufnahme/OK) (8). Das aufgenommene Foto wird auf der microSD-Karte gespeichert.

Wiedergabe

1. Die microSD-Karte muss in den Einschub eingelegt sein.
2. Wechseln Sie mit der Mode (Modus/Wiedergabe/Foto) (6) in den Wiedergabemodus.
3. Drücken Sie die Taste Down (Abwärts) (9), um sich das vorherige Foto anzusehen. Wenn Sie die Mode (Modus/Wiedergabe/Foto) (6) erneut drücken, kehren Sie zur Vorschau zurück.

Massenspeicher am PC

1. Die microSD-Karte muss in den Einschub eingelegt sein.
2. Verbinden Sie das Mikroskop über das USB-Kabel mit dem PC. Anschließend können Sie Bilder von der Karte auf den Computer übertragen.

Vorschau auf PC

1. Funktioniert nur, wenn die unterstützte Software installiert ist.
2. Nehmen Sie die microSD-Karte aus dem Einschub heraus.
3. Verbinden Sie das Mikroskop über das USB-Kabel mit dem PC.

Hauptmenü I

Drücken Sie die Taste Menu (Menü) (7), um das Hauptmenü zu öffnen. In diesem Menü können Sie die Auflösung, Belichtung, Qualität und Schärfe des Bildes einstellen sowie Parameter für Aufnahmereihen festlegen. Dieses Menü enthält auch die Funktionen Time-lapse (Zeitraffer) und Date Stamp (Zeitstempel).

Auflösung

Wählen Sie im Hauptmenü I die Option **Resolution** (Auflösung) aus und dann die erforderliche Bildauflösung. Drücken Sie dazu die Taste Down (Abwärts) (9) und dann zur Bestätigung die Taste Capture/OK (Aufnahme/OK) (8).

Hinweis: Dieses Modell unterstützt die folgenden Auflösungen: WVGA, 2M, 3M, 5M, 8M und 14M.

Zeitrafferaufnahme

Wählen Sie im Hauptmenü I die Option **Time-lapse Capture** (Zeitrafferaufnahme) aus und konfigurieren Sie dann die Option Time (Zeit):

Lapse Num (Anzahl): Legen Sie mit der Taste Down (Abwärts) (9) die gewünschte Bildanzahl fest. Mit der Taste Mode (Modus/Wiedergabe/Foto) (6) wechseln Sie zur nächsten Ziffer. Die maximale Anzahl ist 999. Damit werden also später bei aktivierter Zeitrafferfunktion automatisch 999 Bilder aufgenommen.

Lapse Time (Zeit): Legen Sie mit der Taste Down (Abwärts) (9) den Zeitabstand zwischen den Aufnahmen fest. Mit der Taste Mode (Modus/Wiedergabe/Foto) (6) wechseln Sie zur nächsten Ziffer. Der Maximalwert ist 999. Damit liegt der Zeitabstand zwischen den Aufnahmen bei 999 Sekunden.

Bestätigen Sie die Auswahl mit der Taste Capture/OK (Aufnahme/OK) (8). Kehren Sie dann mit der Taste Menu (Menü) (7) zur Vorschau zurück. Drücken Sie jetzt die Taste Capture/OK (Aufnahme/OK) (8), um die automatische Aufnahme zu starten. Im automatischen Aufnahmemodus wird die Bildanzahl in der rechten oberen Ecke heruntergezählt.

Nachdem alle Bilder aufgenommen wurden, befindet sich das Mikroskop wieder im Vorschaumodus.

Für Zeitrafferaufnahmen muss die Zeit für die automatische Abschaltung länger sein als die Zeitrafferdauer. Es empfiehlt sich eine Zeit von 30 Minuten.

Qualität

Wählen Sie im Hauptmenü I die Option **Quality** (Qualität) aus und dann eine der angebotenen Einstellungen. Diese Option ändert die Kompressionsrate der aufgenommenen Bilder.

Schärfe

Wählen Sie im Hauptmenü I die Option **Sharpness** (Schärfe) aus und dann eine der angebotenen Einstellungen.

Belichtung (Helligkeit)

Wählen Sie im Hauptmenü I die Option **Exposure** (Belichtung) aus und dann einen gewünschten Wert.

Zeitstempel

Wählen Sie im Hauptmenü I die Option **Date Stamp** (Zeitstempel) aus und dann eine gewünschte Option.

Hauptmenü II

Drücken Sie die Taste Menu (Menü) (7), um ins Hauptmenü I zu gelangen. Drücken Sie sie erneut, um ins Hauptmenü II zu gelangen. Auf dieser Seite können Sie die Sprache der Benutzerführung ändern, den Stromsparmodus einschalten, die Displayfrequenz ändern,

Datum und Zeit ein- und ausblenden, die Verbindung zum Fernseher einrichten, die SD-Karte formatieren, Einstellungen zurücksetzen und die Hardwareversion prüfen.

Datum und Zeit

Wählen Sie im Hauptmenü II mit der Taste Down (Abwärts) (9) die Option **Date/Time** (Datum/Zeit) aus. Stellen Sie danach das aktuelle Datum und die aktuelle Zeit ein. Bestätigen Sie die Eingabe mit der Capture/OK (Aufnahme/OK) (8). Sie können auch eines der folgenden Datumsformate auswählen: YY/MM/DD, DD/MM/YY oder MM/DD/YY. Kehren Sie mit der Taste Menu (Menü) (7) in den Vorschaumodus zurück.

Strom sparen

Wählen Sie im Hauptmenü II die Option **Auto Power Off** (Automatisch ausschalten) aus. Stellen Sie dann die Zeit ein, nach der sich das Mikroskop bei Ausbleiben von Benutzereingaben automatisch abschaltet. Bestätigen Sie die Auswahl mit der Taste Capture/OK (Aufnahme/OK) (8).

Sprache

Wählen Sie im Hauptmenü II die Option **Language** (Sprache) aus und dann eine der angebotenen Einstellungen. Bestätigen Sie die Auswahl mit der Taste Capture/OK (Aufnahme/OK) (8).

TV-Verbindung

Wählen Sie im Hauptmenü II die Option **TV Mode** (TV-Modus) aus. Wählen Sie dann den zu Ihrem Fernseher kompatiblen Modus, NTSC oder PAL, aus. Bestätigen Sie die Auswahl mit der Taste Capture/OK (Aufnahme/OK) (8).

Displayfrequenz

Wählen Sie im Hauptmenü II die Option **Frequency** (Frequenz) aus und dann eine der angebotenen Einstellungen. Bestätigen Sie die Auswahl mit der Taste Capture/OK (Aufnahme/OK) (8).

MicroSD-Karte formatieren

Wählen Sie im Hauptmenü II die Option **Format SD** (SD formatieren) aus, um die eingelegte Speicherkarte zu formatieren. **Durch die Formatierung werden alle Dateien auf der Karte gelöscht.** Normalerweise müssen SD-Karten nicht formatiert werden, außer Sie können darauf keine Aufnahmen mehr speichern.

Einstellungen zurücksetzen

Wählen Sie im Hauptmenü II die Option **Default Setting** (Standardwerte) aus, um die Werkseinstellungen wiederherzustellen.

Hardwareversion

Wählen Sie im Hauptmenü II die Option **Version** (Version) aus, um die aktuelle Hardwareversion zu prüfen.

File (Datei)

Photos Directory (Foto-Verzeichnis): Verzeichnis zum Speichern aufgenommener Bilder wählen.

Videos Directory (Video-Verzeichnis): Verzeichnis zum Speichern aufgezeichneter Videos wählen.

Option (Optionen)

Resolution (Auflösung): Bildauflösung wählen.

Date/Time (Datum/Zeit): Datum und Uhrzeit der Aufnahme bei der Voransicht ausblenden oder anzeigen.

Language (Sprache): Sprache der Benutzeroberfläche ändern.

XY Guide (Fadenkreuz): Gitter auf den Bildern anzeigen oder ausblenden.

Full screen mode (Vollbildansicht): In Vollbildansicht wechseln.

Capture (Erfassen)

Photo (Foto): Bild aufnehmen.

Video (Video): Video aufzeichnen.



Speichern



Zeichnung



In die Zwischenablage kopieren



Hinweis



Datei kopieren



Messung



Vorherige



Kalibrierung



Nächste



Rückgängig



Wiederherstellen

Aufnehmen eines Bilds. Klicken Sie auf das entsprechende Symbol in der Symbolleiste, oder wählen Sie im Menü **Capture** (Erfassen) den Eintrag **Photo** (Foto).

Aufzeichnen eines Videos. Klicken Sie auf das entsprechende Symbol in der Symbolleiste, oder wählen Sie im Menü **Capture** (Erfassen) den Eintrag **Video** (Video).

Aufnahmereihe

Klicken Sie auf das entsprechende Symbol in der Symbolleiste. Es wird ein Dialogfenster angezeigt, in dem Sie eine Reihe von Parametern für die Erfassung von Bild- und Videosequenzen einstellen können. Klicken Sie für Bilder auf das Optionsfeld **Photo** (Foto) und legen Sie den Anfangszeitpunkt der Aufnahmereihe, die Intervalle zwischen den Aufnahmen und die Gesamtzahl der aufzunehmenden Bilder fest.

Klicken Sie für Videos auf das Optionsfeld **Video** (Video) und legen Sie den Anfangszeitpunkt der Aufnahmereihe, die Dauer der einzelnen Videos, das Intervall und die Gesamtzahl aufzunehmender Videos an.

Kalibrieren

Schalten Sie die Gitteranzeige ein, bevor Sie das Mikroskop kalibrieren. Wählen Sie dazu im Menü **Options** (Optionen) unter dem Eintrag **XY Guide** (Fadenkreuz) die Option **ein**. Standardmäßig ist das Fadenkreuz sichtbar. Legen Sie die Kalibrierungsskala auf den Objekttisch und stellen Sie das Bild scharf. Die vertikale Achse des Fadenkreuz muss parallel zur Skalenteilung verlaufen. Nehmen Sie ein Bild auf. Klicken Sie doppelt auf die Miniaturansicht des Bilds, um es in einem separaten Fenster zu öffnen. Starten Sie die Kalibrierung, indem Sie auf das entsprechende Symbol in der Symbolleiste klicken. Wählen Sie mit der Maus zwei Punkte auf dem Bild, deren tatsächlichen Abstand Sie kennen. Nachdem Sie den zweiten Punkt ausgewählt haben, öffnet sich ein Dialogfenster. Tragen Sie im Feld **Actual dimension** (Istmaß) den bekannten Abstand ein. Die Anwendung berechnet automatisch die Vergrößerung des Bilds. Klicken Sie auf **OK**. Das Dialogfenster wird geschlossen. Die berechnete Vergrößerung wird im Feld **Magnification** (Vergrößerung) angezeigt.

Hinweis: Die gewählten Punkte müssen auf einer horizontalen Linie liegen.

Zum Überprüfen der Kalibrierung können Sie mit dem Instrument **Any Angle Line** (Abstand) erneut denselben Abstand vermessen. Klicken Sie auf das Messungen-Symbol, wählen Sie das Instrument **Any Angle Line** (Abstand) und zeichnen Sie die entsprechende Linie auf dem Bild. Ist der gemessene Abstand gleich dem tatsächlichen Abstand, war die Kalibrierung erfolgreich.

Neukalibrierung

Wird während der Beobachtung die Vergrößerung oder die Scharfstellung verändert, muss die Kalibrierung wiederholt werden. Klicken Sie erneut auf das entsprechende Symbol in der Symbolleiste und wählen Sie unter **Reset picture magnification** (Vergrößerung zurücksetzen) die Option **Reset magnification** (Bildvergrößerung zurücksetzen). Wiederholen Sie den Kalibriervorgang wie oben beschrieben. Ändern Sie die Vergrößerung und nehmen Sie einige Bilder auf. Klicken Sie doppelt auf die Miniaturansichten, um das

entsprechende Bild in einem Vorschaufenster anzuzeigen. Klicken Sie in der Symbolleiste auf das Kalibrierungssymbol und wählen Sie unter **Set picture magnification** (Vergrößerung einstellen) die Option **Set magnification** (Bildvergrößerung einstellen). Geben Sie in dem Dialogfenster, das angezeigt wird, die aktuelle Vergrößerung ein, und klicken Sie auf **OK**.

Wenn Sie bei der Aufnahme von Bildern später dieselbe Vergrößerung erneut verwenden, klicken Sie auf das Kalibrierungssymbol in der Symbolleiste und wählen Sie unter **Set picture magnification** (Vergrößerung einstellen) die Option **Set magnification** (Bildvergrößerung einstellen).

Messungen

Bevor Sie mit der Messung beginnen, muss das System kalibriert werden.

Any Angle Line (Abstand). Klicken Sie auf den Anfangspunkt der gewünschten Linie und halten Sie die linke Maustaste gedrückt. Ziehen Sie die Maus zum Endpunkt der Linie und lassen Sie die linke Maustaste los.

Continuous Line (Linienzug). Mit diesem Instrument können Sie einen Linienzug auf dem Bild zeichnen und ihre Gesamtlänge messen.

Radius Circle (Radius). Zeichnen Sie eine gerade Linie auf dem Bild. Die Anwendung berechnet automatisch den Radius sowie den Umfang und die Fläche des zu diesem Radius gehörigen Kreises.

Diameter Circle (Durchmesser). Zeichnen Sie eine gerade Linie auf dem Bild. Die Anwendung berechnet automatisch den Durchmesser sowie den Umfang und die Fläche des zu diesem Durchmesser gehörigen Kreises.

Three Points Angle (3 Punkte Winkel). Platzieren Sie mit der Maus drei Punkte auf dem Bild. Die Anwendung berechnet automatisch den eingeschlossenen Winkel.

Zeichnen und Beschriften

Mit PortableCaptureHD können Sie auf Ihren Bildern zeichnen oder sie mit Hinweisen versehen. Öffnen Sie ein Bild in einem Vorschaufenster und klicken Sie auf das Symbol **Pencil** (Bleistift) in der Symbolleiste. Wählen Sie eines der Werkzeuge aus dem Dropdown-Menü und zeichnen Sie etwas auf dem Bild. Zum Ändern der Schriftart und –farbe von Hinweisen können Sie auf das **TT** Symbol in der Symbolleiste klicken.

Verwenden der Anwendung unter Mac OS

Öffnen Sie den Ordner **mac** auf der Installations-CD und kopieren Sie die Datei **PortableCaptureHD** auf den Schreibtisch. Schließen Sie das Mikroskop mit einem USB-Kabel an Ihren Computer an. Führen Sie das Programm „PortableCaptureHD“ aus. Klicken Sie dazu doppelt auf sein Symbol.

Das Hauptfenster des Programms zeigt ein vergrößertes Bild der beobachteten Probe. Wählen Sie zum Einstellen der Bildauflösung im Menü **Options** (Optionen) den Eintrag **Preview Size** (Voransichtsgröße). Denken Sie daran, dass die Größe des Voransichtsfensters nicht verändert werden kann (Standardauflösung: 640x480). Die Bildauflösung wird unten links im Voransichtsfenster angezeigt.

Wählen Sie im Menü **Options** (Optionen) den Eintrag **Date/Time** (Datum/Zeit), um Datum und Uhrzeit der Aufnahme bei der Vorsicht ausblenden oder anzeigen.

Um ein Bild aufzunehmen, wählen Sie im Menü **Capture** (Erfassen) den Eintrag **Photo** (Foto), oder klicken Sie auf das entsprechende Symbol in der Symbolleiste. Rechts im Hauptfenster erscheint eine Foto-Miniaturansicht.

Um ein Video aufzunehmen, wählen Sie im Menü **Capture** (Erfassen) den Eintrag **Video** (Video), oder klicken Sie auf das entsprechende Symbol in der Symbolleiste. Rechts im Hauptfenster erscheint eine Video-Miniaturansicht.

Hinweis: Bei der Videoaufnahme wird das Camcorder-Symbol in der Symbolleiste rot. Klicken Sie erneut auf das Symbol, um die Aufnahme zu beenden.

Rechts im Hauptfenster des Programms werden Miniaturansichten der aufgenommenen Fotos und Videos angezeigt.

Klicken Sie doppelt auf eine Miniaturansicht, um das zugehörige Bild in einem separaten Fenster zu öffnen.

Das Bearbeiten von Bildern mit **PortableCaptureHD** erfolgt analog zur Arbeit mit anderen Programmen unter Mac OS.

Klicken Sie auf **Quit** (Beenden) um die Anwendung zu beenden.

Pflege und Wartung

Richten Sie das Instrument ohne Spezialfilter unter keinen Umständen direkt auf die Sonne, andere helle Lichtquellen oder Laserquellen. Es besteht die Gefahr DAUERHAFTER NETZHAUTSCHÄDEN und ERBLINDUNGSGEFAHR. Weiße LEDs sind sehr hell. Nicht direkt in die LEDs blicken. Gefahr dauerhafter Augenschäden! Treffen Sie geeignete Vorsichtsmaßnahmen, wenn Kinder oder Menschen das Instrument benutzen, die diese Anleitung nicht gelesen bzw. verstanden haben. Prüfen Sie nach dem Auspacken des Mikroskops und vor der ersten Verwendung die einzelnen Komponenten und Anschlüsse auf Unversehrtheit und Beständigkeit. Versuchen Sie egal aus welchem Grunde nicht, das Instrument selbst auseinanderzubauen. Wenden Sie sich für Reparaturen oder zur Reinigung an ein spezialisiertes Servicecenter vor Ort. Schützen Sie das Instrument vor plötzlichen Stößen und übermäßiger mechanischer Krafteinwirkung. Üben Sie beim Fokussieren keinen übermäßigen Druck aus. Ziehen Sie die Arretierungsschrauben nicht zu fest an. Berühren Sie die optischen Flächen nicht mit den Fingern. Verwenden Sie zur äußerlichen Reinigung des Teleskops ausschließlich die speziellen Reinigungstücher und

das spezielle Optik-Reinigungszubehör von Levenhuk. Schleifkörper wie Sandkörner dürfen nicht abgewischt werden. Sie können sie weglassen oder einen weichen Pinsel verwenden. Das Instrument ist nicht für Dauerbetrieb ausgelegt. Lassen Sie das Instrument nicht in direktem Sonnenlicht zurück. Halten Sie das Instrument von Wasser und hoher Feuchtigkeit fern. Tauchen Sie es nicht in Wasser ein. Lassen Sie Sorgfalt bei der Beobachtung walten und setzen Sie nach Abschluss der Beobachtung die Staubabdeckung wieder auf, um das Gerät vor Staub und Verschmutzungen zu schützen. Bewahren Sie bei längeren Phasen der Nichtbenutzung die Objektivlinsen und Okulare getrennt vom Mikroskop auf. Lagern Sie das Instrument an einem trockenen, kühlen Ort, der frei von gefährlichen Säuren und anderen Chemikalien ist, und in ausreichendem Abstand zu Heizgeräten, offenem Feuer und anderen Hochtemperaturquellen. Das Instrument ist nicht für Dauerbetrieb ausgelegt. Schließen Sie immer erst die Anwendung, bevor Sie das Mikroskop vom PC trennen, um Datenverluste und Beschädigungen am Gerät zu vermeiden. Warten Sie, bis die Beleuchtung vollständig abgeschaltet ist, und trennen Sie erst dann die Verbindung zum Mikroskop. **Bei Verschlucken eines Kleinteils oder einer Batterie umgehend ärztliche Hilfe suchen!**

Sicherheitshinweise zum Umgang mit Batterien

Immer die richtige, für den beabsichtigten Einsatz am besten geeignete Batteriegöße und -art erwerben. Stets alle Batterien gleichzeitig ersetzen. Alte und neue Batterien oder Batterien verschiedenen Typs nicht mischen. Batteriekontakte und Kontakte am Instrument vor Installation der Batterien reinigen. Beim Einlegen der Batterien auf korrekte Polung (+ und -) achten. Batterien entnehmen, wenn das Instrument für einen längeren Zeitraum nicht benutzt werden soll. Verbrauchte Batterien umgehend entnehmen. Primärbatterien nicht wieder aufladen! Beim Aufladen von Primärbatterien können diese auslaufen; außerdem besteht Feuer- und Explosionsgefahr. Batterien nicht kurzschließen, um Hitzeentwicklung, Auslaufen oder Explosionen zu vermeiden. Batterien dürfen nicht zum Wiederbeleben erwärmt werden. Instrumente nach Verwendung ausschalten. Batterien für Kinder unzugänglich aufbewahren, um Verschlucken, Ersticken und Vergiftungen zu vermeiden.

Technische Daten

Megapixel	3
Vergrößerung, x	10–200
Mögliche Bildauflösungen	14M, 8M, 5M, 3M, 2M, WVGA
Mögliche Videoauflösungen	1080P Full HD, 720P, VGA
Foto-/Videoformat	*.jpeg / HDMI: *.h264; USB: *.mjpeg
Scharfstellung	Manuell, Fokussierbereich 10–500 mm
Beleuchtung	8-LED-System mit variabler Helligkeit
Stromquelle	USB-2.0-Kabel
Software-Sprachen	Englisch, Deutsch, Spanisch, Russisch, Italienisch, Französisch, Portugiesisch, Niederländisch, Polnisch, Japanisch, Koreanisch, Chinesisch
Möglichkeit zum Anschluss von Zubehör	unterstützt microSD-Karten mit bis zu 32 GB Kapazität (nicht im Lieferumfang)
Betriebstemperaturbereich, °C	–5...+50

Levenhuk behält sich das Recht vor, Produkte ohne vorherige Ankündigung zu modifizieren oder einzustellen.

Systemanforderungen

Monitor: jeder Monitor mit HDMI-Eingang; Betriebssystem: Windows 7/8/10, Mac 10.7–10.14;
CPU: Mindestens P4 1,8 Ghz; RAM: 512 MB; GPU: 64 MB; Schnittstelle: USB 2.0; CD-ROM

Lebenslange internationale Garantie

Levenhuk garantiert für alle Teleskope, Mikroskope, Ferngläser und anderen optischen Erzeugnisse mit Ausnahme von Zubehör lebenslänglich die Freiheit von Material- und Herstellungsfehlern. Die lebenslange Garantie ist eine Garantie, die für die gesamte Lebensdauer des Produkts am Markt gilt. Für Levenhuk-Zubehör gewährleistet Levenhuk die Freiheit von Material- und Herstellungsfehlern innerhalb von zwei Jahren ab Kaufdatum. Die Garantie berechtigt in Ländern, in denen Levenhuk mit einer Niederlassung vertreten ist, zu Reparatur oder Austausch von Levenhuk-Produkten, sofern alle Garantiebedingungen erfüllt sind. Weitere Einzelheiten entnehmen Sie bitte unserer Website: www.levenhuk.de/garantie
Bei Problemen mit der Garantie, oder wenn Sie Unterstützung bei der Verwendung Ihres Produkts benötigen, wenden Sie sich an die lokale Levenhuk-Niederlassung.

Levenhuk DTX TV

Digitális mikroszkóp

HU

Az eszköznek a használatával soha, semmilyen körülmények között ne nézzen közvetlenül a Napba, vagy egyéb, nagyon erős fényforrásba vagy lézersugárba, mert ez **MARADANDÓ KÁROSODÁST OKOZ A RETINÁJÁBAN ÉS MEG IS VAKULHAT.**

A mikroszkóp alkatrészei

- | | |
|---|---------------------------------|
| 1 DC-bemenet és USB-port | 7 Menu (Menü) gomb |
| 2 HDMI-csatlakozó | 8 Capture/OK (Felvétel/OK) gomb |
| 3 MicroSD foglalat | 9 Down (LE) |
| 4 LED fényerőszabályzó | 10 LED |
| 5 Bekapcsolás/kikapcsolás | 11 Fókuszgomb |
| 6 Mode (Üzem mód) (lejárás/ fénykép) gomb | 12 Nagyító-vonalzó |
| | 13-17 Csavarok |

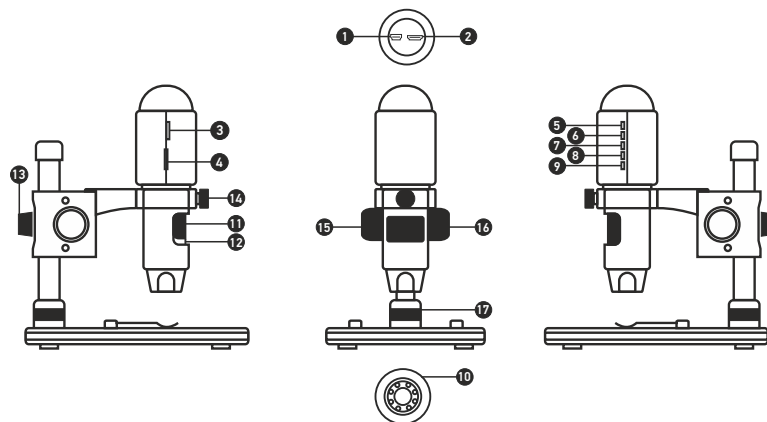
A készlet tartalma: Mikroszkóp, állvány, AC adapter, USB kábel, HDMI kábel, kalibrálási skála, szoftvertelepítő CD, felhasználói útmutató és garancia.

A mikroszkóp összeszerelése

Vegye ki a mikroszkópot és minden tartozékot a csomagból. Helyezze a tárgyasztalállványt egy stabil felületre. Csatlakoztassa a rögzítőgyűrűt a tartó fémcsővéhez. Illesse a fémcövet a tárgyasztalállvány nyílásába és rögzítse a helyére a gyűrűvel. Illesse a mikroszkópot a szerelvényen található rögzítőbilincsbe, és húzza meg a rögzítőcsavart. Húzza meg a rögzítőgombot, hogy a tartókart a helyére rögzítse. Helyezze a mintát a tárgyasztalra, és a durvafókusz-állító gombbal (16) állítsa be a fókuszot. A maximum pontosságot és élességet a finomfókusz-állító gombbal (11) állítsa be. A fókuszaláskor húzza meg a fókuszszár gombját (15) az eredmények rögzítéséhez.

PortableCaptureHD szoftver

Helyezze a telepítő CD-t a CD-meghajtóba. Megjelenik a Főmenü ablak. Kattintson az Install **PortableCaptureHD** (PortableCaptureHD telepítése) gombra az alkalmazás telepítéséhez, és kövesse az kijelzőn megjelenő utasításokat. A telepítő CD tartalmazza a használati útmutató egy példányát, amelyet a Főmenü megfelelő bejegyzésére kattintva elolvashat. Csatlakoztassa a mikroszkópot a számítógéphez az USB kábellel, és futtassa a PortableCaptureHD alkalmazást. Egy felugró üzenet figyelmezteti Önt, ha a mikroszkóp nem csatlakozik a számítógéphez.



Képrögzítés



Videofelvétel indítása és leállítása



Sorozatfelvétel (megadhatja az időtartamot a képek vagy videók rögzítésének megkezdéséhez, beállíthatja a felvételek közötti intervallumot, a videó időtartamát és a rögzítendő képek vagy videók számát)



Teljes képernyő mód. A teljes képernyő módból való kilépéshez nyomja meg az **Escape** (Menekülni) gombot a billentyűzeten, vagy kattintson duplán bárhová a képernyőn.

A mikroszkóp használata

Csatlakoztatás HDMI bemenettel rendelkező TV-hez/monitorhoz

1) Csatlakoztassa a mikroszkópot a TV-hez/monitorhoz oly módon, hogy a HDMI kábelt csatlakoztatja a HDMI bemeneti porthoz. Kapcsolja be a televíziót/monitort, és válassza ki a HDMI beállítást.

2) A mikroszkóp tápellátását a mellékelt hálózati adapter biztosítja. Ha mikroszkóp még nincs bekapcsolva, kapcsolja be a Bekapcsoló-/kikapcsológomb (5) megnyomásával, majd ezután elindíthatja az előnézetet a képernyőn.

Kép rögzítése

- 1) Helyezzen be egy microSD kártyát a microSD foglalatba (3). A kártya maximális mérete 32 GB.
- 2) Fordítsa el a fókusz gombot (11), hogy a tárgy képe a legélesebben jelenjen meg.
- 3) Nyomja meg a Capture/OK (Felvétel/OK) gombot (8) a távirányítón és a készülék a microSD kártyára menti a fényképet.

Lejátszás

- 1) Helyezzen egy microSD kártyát a foglalatba.
- 2) Nyomja meg a Mode (Üzem mód) gombot (6) a távirányítón a lejátszás módra váltáshoz.
- 3) Nyomja meg a Down (LE) (9) az előző fénykép megtekintéséhez. Nyomja meg a Mode (Üzem mód) gombot (6) a távirányítón az előnézethez való visszatéréshez.

Háttértár a számítógépen

- 1) Helyezzen egy microSD kártyát a foglalatba.
- 2) Csatlakoztassa a mikroszkópot a számítógéphez egy USB kábellel, hogy a képeket a kártyáról a számítógépre töltsse.

Előnézet a számítógépen

- 1) Csak a telepített szoftverrel együtt működik.
- 2) Távolítsa el a microSD kártyát a foglalatból.
- 3) Csatlakoztassa a mikroszkópot a számítógéphez az USB kábellel.

Főmenü I

A főmenü megnyitásához nyomja meg a Menu (Menü) gombot (7). Ebben a menüben állítható be a kép felbontása, a kép exponálása, minősége és élessége, valamint a sorozatfelvétel paraméterei. Ezenfelül itt található a Gyorsított felvétel és a Dátumbélyegző funkció is.

Felbontás

Válassza ki a főmenüből a Resolution (Kép vagy videofelbontás) opciót, válassza ki a kívánt felbontást a Down (LE) (9) megnyomásával, majd a megerősítéshez nyomja meg az Capture/OK (Felvétel/OK) gombot (8).

Megjegyzés: Ez a modell a következő felbontásokat támogatja:
WVGA/2M/3M/5M/8M/14M.

Gyorsított felvétel

Az I. főmenüben válassza ki a Time-lapse Capture (Gyorsított felvétel) funkciót, majd adja meg a „Time” (Idő) értékét:

Lapse Num (Gyorsítási szám): A Down (LE) gombbal (9) megadható a rögzíteni kívánt képkockák mennyisége, valamint az Mode (Üzem mód) gombbal (6) módosítható a blokk. A maximum érték 999, vagyis a rendszer a kiválasztott időintervallumon belül 999 képet készít automatikusan.

Lapse Time (Gyorsítási időköz): A Down (LE) gombbal (9) megadható a rögzíteni kívánt képkockák mennyisége, valamint az **Menu** (Menü) gombbal (6) módosítható a blokk. A maximum érték 999, vagyis a rendszer a kiválasztott időintervallumon belül 999 képet készít automatikusan.

A Capture/OK (Felvétel/OK) gomb (8) megnyomásával jóváhagyható a beállítás, a **Menu** (Menü) (7) gombbal pedig visszatérhet az előnézeti állapotba. A Capture/OK (Felvétel/OK) gomb (8) megnyomásával elindítható az automatikus felvétel. Automatikus felvételi állapotban a kép mennyisége a jobb felső sarokban látható.

Ha a rendszer minden képkockát rögzített, a mikroszkóp visszatér a normál előnézethez.

Gyorsított felvétel esetében az automatikus kikapcsolási időnek hosszabbnak kell lennie, mint a gyorsított felvételi időbeállításnak. 30 perces beállítás javasolt.

Minőség

Válassza ki a **Quality** (Minőség) opciót az I. főmenüből, majd válasszon az egyik meglévő beállításból. (Ezzel megváltozik a rögzített képek tömörítési aránya.)

Élesség

Válassza ki a **Sharpness** (Élesség) opciót az I. főmenüből, majd válasszon az egyik meglévő beállításból.

Fényerő

Válassza ki az **Exposure** (Exponálás) opciót az I. főmenüből, majd válasszon ki egy célértéket.

Dátumbélyegző

Válassza ki a **Date Stamp** (Dátumbélyegző) opciót az I. főmenüből, majd válasszon ki egy célopciót.

Főmenü II

A Menu (Menü) gomb (7) megnyomásával lépjen be az I főmenübe, azután a gomb újbóli megnyomásával a II főmenübe jut. Ebben a menüben beállítható a felhasználói felület nyelve, bekapcsolható az energiatakarékos mód, módosítható a kijelző frekvenciája, elrejtethető vagy megjeleníthető az idő és a dátum, beállítható a TV csatlakozás, formázható az SD kártya, visszaállíthatók a beállítások, valamint ellenőrizhető a hardververzió.

Dátum és idő

Válassza ki a **Date/Time** (Dátum és idő) opciót a II. főmenüből a lefelé mutató gombbal (9), majd állítsa be az aktuális dátumot és időt. Nyomja meg a **Capture/OK** (Felvétel/OK) gombot (8) a megerősítéshez. Kiválaszthatja továbbá az alábbi dátumformátumok egyikét is: „YY/MM/DD” (ÉÉ/HH/NN), „DD/MM/YY” (NN/HH/ÉÉ) vagy „MM/DD/YY” (HH/NN/ÉÉ). Nyomja meg a **Menu** (Menü) gombot (7) az előnézet üzemmódba való visszatéréshez.

Energiatakarékos üzemmód

Válassza ki az **Auto Power Off** (Automatikus kikapcsolás) lehetőséget a II. főmenüből, és állítsa be azt az inaktív időtartamot, amelynek eltelte után a mikroszkóp automatikusan kikapcsol. Nyomja meg a **Capture/OK** (Felvétel/OK) gombot (8) a kiválasztás megerősítéséhez.

Nyelv

Válassza ki a **Language** (Nyelv) opciót a főmenüből, majd válasszon az egyik meglévő beállításból. Nyomja meg az **Capture/OK** (Felvétel/OK) gombot (8) a megerősítéséhez.

TV-csatlakozás

Válassza ki a **TV Mode** (TV mód) opciót a főmenüből, majd válassza ki megfelelő, az Ön tévékészülékével kompatibilis NTSC vagy PAL módot. Nyomja meg az **Capture/OK** (Felvétel/OK) gombot (8) a megerősítéséhez.

Kijelző frekvenciája

Válassza ki a **Frequency** (Frekvencia) opciót a II. főmenüből, majd válasszon az egyik meglévő beállításból. Nyomja meg az **Capture/OK** (Felvétel/OK) gombot (8) a kiválasztás megerősítéséhez.

MicroSD kártya formázása

Válassza ki a **Format SD** (SD kártya formázása) opciót a főmenüből a telepített memóriakártya formázásához. **A formázás után a kártyán található valamennyi fájl törlődik.** Normál esetben a kártya formázása nem szükséges, hacsak a kártya nem tudja tárolni a rögzített képet.

A beállítások visszaállítása

A gyári beállítások visszaállításához válassza ki a főmenüből a **Default Setting** (Álaphéltelmezett beállítás) lehetőséget.

Hardververzió

Válassza ki a **Version** (Verzió) opciót a főmenüből a jelenlegi hardververzió megtekintéséhez.

File (Fájl)

Photos Directory (Fényképkönyvtár): A rögzített képek könyvtárának beállítására szolgál.

Videos Directory (Videókönyvtár): A rögzített videók könyvtárának beállítására szolgál.

Options (Lehetőségek)

Resolution (Felbontás): Aképfelbontás beállítására szolgál.

Date/Time (Dátum/Idő): Elrejtí vagy megjeleníti a rögzítés dátumát és idejét az előnézetben.

Language (Nyelv): A felhasználói felület nyelvének megváltoztatására szolgál.

XY Guide (XY koordináták): Elrejtí vagy megjeleníti a rácsot a képeken.

Full screen mode (Teljes képernyő mód): Teljes képernyős megjelenítés.

Capture (Felvétel)

Photo (Fénykép): Képrögzítésre szolgál.

Video (Videó): Videórögzítésre szolgál.



Mentés másként



Rajz



Másolás a vágólapra



Szöveg



Fájlmásolás



Mérés



Előző kép



Kalibrálás



Következő kép



Az utolsó művelet visszavonása



Az utolsó művelet megismétlése

Kép rögzítése

Kattintson a megfelelő ikonra az eszköztárban, vagy válassza a **Photo** (Fénykép) lehetőséget a **Capture** (Felvétel) menüben.

Videó rögzítése

Kattintson a megfelelő ikonra az eszköztárban, vagy válassza a **Video** (Videó) lehetőséget a **Capture** (Felvétel) menüben.

Sorozatfelvétel

Kattintson a megfelelő ikonra az eszköztárban. Megjelenik egy párbeszédablak, amelyben számos paramétert állíthat be a sorozatfelvételhez.

Kattintson a **Photo** (Fénykép) választógombra a képrögzítés kezdési idejének, valamint a képek közötti intervallum és az összes képszám beállításához. Kattintson a **Video** (Videó) választógombra a videórögzítés kezdési idejének, valamint a videók közötti intervallum és az összes klipszám beállításához.

Kalibrálás

A mikroszkóp kalibrálása előtt kapcsolja be a rácsot. Ehhez válassza az **On** (Be) opciót az **Options** (Lehetőségek) > **XY Guide** (XY koordináták) menüútvonalon. Alapértelmezett beállításnál a rács látható. Helyezze a kalibrációs skálát a tárgyasztalra, és állítsa be a nézetfókuszot. Győződjön meg arról, hogy a rács párhuzamos a skálabeosztással, majd készítse el a képfelvételt. A két külön ablakban történő megnyitásához kattintson kétszer a kép miniatűrjére.

Kattintson a megfelelő ikonra az eszköztárban a kalibrálás megkezdéséhez. Az egérrel válasszon ki két pontot a képen (tudnia kell a tényleges távolságot e két pont között). Miután kiválasztotta a második pontot, megnyílik egy párbeszédablak, ahol meg kell adnia az ismert távolságot az **Actual dimension** (Tényleges dimenzió) mezőben. Az alkalmazás automatikusan kiszámolja a kép nagyítását. A párbeszédablak bezárásához kattintson az OK gombra. A kiszámított nagyítás megjelenik a **Magnification** (Nagyítás) mezőben.

Megjegyzés: A kiválasztott pontoknak vízszintes vonalat kell alkotniuk.

A kalibrálás eredményeit úgy ellenőrizheti, hogy az **Any Angle Line** (Bármilyen ferde vonal) eszközzel leméri ugyanazt a távolságot. Kattintson a mérések ikonra, válassza ki az **Any Angle Line** (Bármilyen ferde vonal) eszközt, majd húzzon egy hasonló vonalat a képen. Ha a mért távolság megegyezik a tényleges távolsággal, a kalibrálás sikeres volt.

Újrakalibrálás

A kalibrálási folyamatot meg kell ismételni, ha a nagyítás vagy a fókusz a megfigyelések során megváltozott.

Kattintson a megfelelő ikonra az eszköztárban, majd válassza a **Reset picture magnification** (Képnagyítás visszaállítása) opciót a **Reset magnification** (Nagyítás visszaállítása) menüpontból. Ismételje meg a kalibrálási folyamatot a fent leírtak szerint. Módosítsa a nagyítást, majd készítse néhány képfelvételt. Kattintson duplán az egyik miniatűrképre az elkészült kép előnézeti ablakban történő megnyitásához. Kattintson a kalibrálás ikonra az eszköztárban, majd válassza a **Set picture magnification** (Képnagyítás beállítása) opciót a **Set magnification** (Nagyítás beállítása) menüpontból. Adja meg az aktuális nagyítást a párbeszédablakban, majd kattintson az OK gombra.

Ha a jövőben ugyanazt a nagyítást kívánja használni képfelvételek készítésénél, kattintson a kalibrálás ikonra az eszköztárban, majd válassza a **Set picture magnification** (Képnagyítás beállítása) opciót a **Set magnification** (Nagyítás beállítása) menüpontból.

Mérések

A mérések elvégzése előtt ajánlott a rendszert kalibrálni.

Any Angle Line (Bármilyen ferde vonal). Nyomja le hosszan a bal egérgombot a vonalrajzolás megkezdéséhez. A vonalrajzolás befejezéséhez engedje el a bal egérgombot.

Continuous Line (Szabadkézi vonal). Nyomja le hosszan a bal egérgombot és rajzoljon egy vonalat. A vonalszakasz befejezéséhez engedje el a bal egérgombot. Több vonalszakaszt is hozzáadhat a szabadkézi vonalhoz.

Radius Circle (Sugár). Rajzoljon egy egyenes vonalat a képre. Az alkalmazás automatikusan kiszámítja a megfelelő kör sugarát, kerületét és területét.

Diameter Circle (Átmérő). Rajzoljon egy egyenes vonalat a képre. Az alkalmazás automatikusan kiszámítja a megfelelő kör átmérőjét, kerületét és területét.

Three Points Angle (Szög). Nyomja le hosszan a bal egérgombot és rajzoljon egy vonalat a képre. Engedje el a bal egérgombot és rajzoljon egy másik vonalat. Az alkalmazás automatikusan kiszámítja a létrejött szög értékét.

Rajz és szöveg

A PortableCaptureHD alkalmazással rajzokat és szövegdobozokat adhat a képeihez. Nyisson meg egy képet egy előnézeti ablakban, majd kattintson a **Pencil** (Ceruza) ikonra az eszköztárban. Válassza ki az egyik eszközt a legördülő menüből, és rajzoljon valamit a képre. Az eszköztárban található **TT** ikonra kattintva módosíthatja a szövegdobozokban használt betű típusát és színét

Alkalmazáshasználat a Mac operációs rendszerek felhasználói számára

A telepítő CD-n keresse meg a **mac** mappát, és másolja a **PortableCaptureHD** fájlt az asztalra. USB-kábel segítségével csatlakoztassa a mikroszkópot a számítógépéhez. Futtassa a PortableCaptureHD alkalmazást: kattintson kétszer az ikonjára.

A megfigyelt minta nagyított képe az alkalmazás fő ablakában látható. Az **Options** (Lehetőségek) menüben válassza ki a **Preview Size** (Előnézeti méret) lehetőséget a képfelbontás beállításához. Ne feledje, hogy az előnézeti ablak mérete nem változtatható (a szabványos felbontás 640x480). A kép felbontása az előnézeti ablak bal alsó sarkában jelenik meg.

Az **Options** (Lehetőségek) menüben válassza ki a **Date/Time** (Dátum/Idő) lehetőséget a dátum és idő megjelenítéséhez vagy elrejtéséhez a rögzített kép előnézetének megtekintése során.

Képfelvételhez kattintson a megfelelő ikonra az eszköztárban, vagy válassza a **Photo** (Fénykép) lehetőséget a **Capture** (Felvétel) menüben. Megjelenik a kép miniatűr változata a fő ablak jobb oldalán. Videofelvétel megkezdéséhez kattintson a megfelelő ikonra az eszköztárban, vagy válassza a **Video** (Videó) lehetőséget a **Capture** (Felvétel) menüben. Megjelenik a videó miniatűr változata a fő ablak jobb oldalán.

Megjegyzés: A felvétel során az eszköztár videokamera ikonja piros színű lesz. Kattintson újra az ikonra a felvétel befejezéséhez.

A képek és videóik miniatűrjei az alkalmazás fő ablakának jobb oldalán jelennek meg. A megnyitáshoz kattintson kétszer a kép miniatűrjére, így az egy külön előnézeti ablakban fog megnyílni.

A PortableCaptureHD alkalmazással történő képszerkesztés hasonlít a Mac operációs rendszer más alkalmazásainak használatához.

A főmenüben válassza ki a **Quit PortableCaptureHD** (Kilépés a PortableCaptureHD alkalmazásból) parancsot az alkalmazásból való kilépéshez.

Ápolás és karbantartás

Ennek az eszköznek a használatával soha, semmilyen körülmények között ne nézzen közvetlenül a Napba, vagy egyéb, nagyon erős fényforrásba vagy lézersugárba, mert ez **MARADANDÓ KÁROSODÁST OKOZ A RETINÁJÁBAN ÉS MEG IS VAKULHAT.** A fehér LED lámpák nagyok fényesek; ne nézzen beléjük, mert azok tartós látáskárosodást okozhatnak. Legyen kellően óvatos, ha gyermekekkel vagy olyan személyekkel együtt használja az eszközt, akik nem olvasták vagy nem teljesen értették meg az előbbieken felsorolt utasításokat. A mikroszkóp kicsomagolása után, de még annak legelső használata előtt ellenőrizze az alkatrészek és csatlakozások sérülésmentes állapotát és tartósságát. Bármilyen legyen is az ok, semmiképpen ne kísérelje meg szétszerelni az eszközt. Ha javításra vagy tisztításra szorul az eszköz, akkor keresse fel az erre a célra specializálódott helyi szolgáltatóközpontot. Őja az eszközt a hirtelen behatásoktól és a hosszabb ideig tartó mechanikai erőktől. Ne használjon túlzott erőt a fókuszt beállításánál. Ne húzza túl a szorítócsavarokat. Az optikai elemek felületéhez soha ne érjen az ujjával. Az eszköz külső megtisztításához használja a Levenhuk által erre a célra gyártott tisztítókendőt és optikai tisztító eszközöket. Az optikai elemek tisztításához ne használjon maró hatású vagy acetonalapú folyadékokat. A koptató hatású részeszkéket, például a homokot ne törlessel, hanem fűjással vagy puha ecsettel távolítsa el a lencséről. Ne használja az eszközt hosszú időtartamon keresztül a tűző napon, vagy ne hagyja ott felügyelet nélkül. Tartsa az eszközt víztől és magas páratartalomtól védett helyen. Legyen körültekintő a megfigyelések során, mindig helyezze vissza a porvédőt a megfigyelés befejeztével, így

megóvhatja eszközét a portól és a szennyeződésektől. Ha a mikroszkóp hosszabb ideig használaton kívül van, akkor a mikroszkóptól elkülönítetten tárolja az objektivlencsékét és a szemlencsékét. Száraz, hűvös helyen tárolja az eszközt, veszélyes savaktól és egyéb kémiai anyagoktól elkülönítetten, hősugárzóktól, nyílt lángtól és egyéb, magas hőmérsékletet leadni képes forrásoktól távol. Az adatvesztés és a készülék károsodásának megelőzéséhez mindig zárja be az alkalmazást, és csak utána válassza le a mikroszkópot a számítógépről. Várja meg míg a világítás teljesen lekapcsol, és utána válassza le a mikroszkópot. **Azonnal forduljon orvoshoz, amennyiben bárki lenyelt egy kis alkatrészt vagy elemet.**

Az elemekkel kapcsolatos biztonsági intézkedések

Mindig a felhasználásnak legmegfelelőbb méretű és fokozatú elemet vásárolja meg. Elemcseré során mindig az összes elemet egyszerre cserélje ki; ne keverje a régi elemeket a frissel, valamint a különböző típusú elemeket se keverje egymással össze. Az elemek behelyezése előtt tisztítsa meg az elemek és az eszköz egymással érintkező részeit. Győződjön meg róla, hogy az elemek a pólusokat tekintve is helyesen kerülnek az eszközbe (+ és -). Amennyiben az eszközt hosszabb ideig nem használja, akkor távolítsa el az elemeket. A lemerült elemeket azonnal távolítsa el. Soha ne kísérelje meg újratölteni az egyszer használatos elemeket, mivel ezzel szivárgást, tüzet vagy robbanást idézhet elő. Soha ne zárja rövidre az elemeket, mivel így azok erősen felmelegedhetnek, szivárogni kezhetnek vagy felrobbanhatnak.

Műszaki paraméterek

Megapixel	3
Nagyítás foka, x	10–200
Elérhető képfelbontások	14M, 8M, 5M, 3M, 2M, WVGA
Elérhető videófelbontások	1080P Full HD, 720P, VGA
Fénykép-/Videóformátum	*.jpeg / HDMI: *.h264; USB: *.mjpeg
Fókuszt	kézi, 10–500 mm
Megvilágítás	Változó fényerejű 8 LED égős rendszer
Tápellátás	USB 2.0 kábel
Szoftvernyelvek	Angol, német, spanyol, orosz, olasz, francia, portugál, holland, lengyel, japán, koreai, kínai
További berendezés csatlakoztatható	microSD-kártya támogatás 32 GB-ig (a készlet nem tartalmazza)
Működési hőmérséklet-tartomány, °C	–5 és +50

A Levenhuk vállalat fenntartja a jogot, hogy bármely termékét előzetes értesítés nélkül módosítsa vagy kivonja a forgalomból.

Rendszerkövetelmények

Monitor: bármilyen HDMI-bemenettel rendelkező monitor; operációs rendszer: Windows 7/8/10, Mac 10.7~10.14; CPU: P4 1,8 GHz vagy újabb változat; RAM: 512 MB; GPU: 64 MB; Interfész: USB 2.0; CD-ROM meghajtó.

A Levenhuk nemzetközi, élettartamra szóló szavatossága

A Levenhuk vállalat a kiegészítők kivételével az összes Levenhuk gyártmányú teleszkóphoz, mikroszkóphoz, kétszemcses távcsőhöz és egyéb optikai termékhez élettartamra szóló szavatosságot nyújt az anyaghibák és/vagy a gyártási hibák vonatkozásában. Az élettartamra szóló szavatosság a termék piaci forgalmazási időszakának a végéig érvényes. A Levenhuk-kiegészítőkhöz a Levenhuk-vállalat a kiskereskedelmi vásárlás napjától számított két évig érvényes szavatosságot nyújt az anyaghibák és/vagy a gyártási hibák vonatkozásában. Ha minden szavatossági feltétel teljesül, akkor a szavatosság értelmében bármely olyan országban kérheted a Levenhuk termék díjmentes javíttatását vagy cseréjét, ahol a Levenhuk vállalat fiókirodát üzemeltet. További részletekért látogasson el weboldalunkra:

www.levenhuk.hu/garancia

Amennyiben garanciális probléma lépne fel vagy további segítségre van szüksége a termék használatát illetően, akkor vegye fel a kapcsolatot a helyi Levenhuk üzlettel.

Levenhuk DTX TV

Microscopio digital

ES

Partes del microscopio

- | | |
|---------------------------------|---------------------------|
| 1 Puerto USB y de alimentación | 7 Menu (Menú) |
| 2 Puerto HDMI | 8 Capture/OK (Captura/OK) |
| 3 Ranura para microSD | 9 Down (Abajo) |
| 4 Regulador LED | 10 LED |
| 5 Botón de encendido y apagado | 11 Rueda de enfoque |
| 6 Mode (Modo/Reproducción/Foto) | 12 Regla de ampliación |
| | 13-17 Tornillos |

El kit incluye: Microscopio digital, base para el microscopio, adaptador de corriente, cable USB, cable HDMI, escala de calibrado, CD de software, manual de usuario.

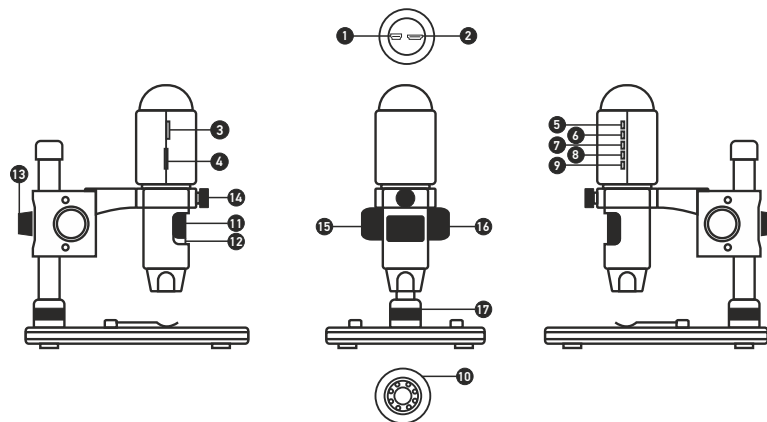
Montaje del microscopio

Saque el microscopio y todos sus accesorios del paquete. Sitúe la platina sobre una superficie estable. Instale el anillo de bloqueo de la montura (17) en el tubo metálico de la montura. Inserte el tubo metálico en la apertura de la platina y fíjelo en su lugar con el anillo (17). Inserte el microscopio en la fijación del brazo de la montura y apriete el tornillo de bloqueo (14). Apriete el mando de bloqueo (13) para que el brazo de la montura quede fijo. Coloque un espécimen en la platina y utilice el mando de enfoque grueso (16) para enfocar la vista. Utilice el mando de enfoque fino (11) para lograr una precisión y nitidez máximas. Cuando enfoque la vista, apriete el mando de bloqueo del enfoque (15) para bloquear el resultado.

Instalación del software

Introduzca el CD de instalación en el lector de CD. Aparecerá la ventana del Menú Principal. Haga clic en **Install PortableCaptureHD** (Instalar PortableCaptureHD) para instalar la aplicación y siga las instrucciones de la pantalla. Conecte el microscopio al PC con un cable USB y ejecute la aplicación PortableCaptureHD. Aparecerá una ventana emergente advirtiéndole si el microscopio no está conectado al PC.

Nunca mire al Sol ni a otra fuente de luz intensa ni a un láser bajo ninguna circunstancia, ya que podría causarle DAÑOS PERMANENTES EN LA RETINA y podría provocar CEGUERA.



Capturar una imagen



Iniciar y detener la grabación de video



Captura de secuencia (puede ajustar la hora a la que se iniciará la captura de imágenes o videos, el intervalo entre ellos, la duración del video y el número de imágenes o videos a capturar)



Modo de pantalla completa. Para salir del modo de pantalla completa pulse **Esc** (Escalar) en su teclado o haga doble clic en cualquier punto de la pantalla

Cómo usar el microscopio

Conectar a un monitor o televisor con entrada HDMI

- 1) Conecte el microscopio con un monitor o televisor con entrada HDMI con el cable HDMI. Encienda el monitor o televisor y seleccione HDMI.
- 2) Conecte el microscopio con el adaptador de corriente incluido. Encienda el microscopio presionando el botón de encendido y apagado (5) si el dispositivo no está encendido y ya puede iniciar la visualización en la pantalla.

Captura de fotos

- 1) Inserte una tarjeta microSD en la ranura para microSD (3). Tamaño máximo de la tarjeta: 32 GB.
- 2) Gire la rueda de enfoque (11) para enfocar la imagen del objeto hasta que esté nítida.
- 3) Pulse el botón Capture/OK (Captura/OK) (8) y la foto capturada se guardará en la tarjeta microSD.

Reproducción

- 1) Con una tarjeta microSD en la ranura.
- 2) Pulse el botón de Mode (Modo/Reproducción/Foto) (6) para pasar al modo de reproducción.
- 3) Pulse el botón Down (Abajo) (9) para ver la foto anterior. Pulse el botón Mode (Modo/Reproducción/Foto) (6) de nuevo para volver a la vista previa.

Almacenamiento masivo en PC

- 1) Con una tarjeta microSD en la ranura.
- 2) Conecte el microscopio con el PC mediante un cable USB para descargar las imágenes de la tarjeta al ordenador.

Vista previa en PC

- 1) Solo funciona cuando está instalado el software soportado.
- 2) Extraiga la tarjeta microSD de la ranura.
- 3) Conecte el microscopio con el PC mediante el cable USB.

Menú principal I

Pulsa el botón del Menu (Menú) (7) para abrir el menú principal. Desde este menú puedes elegir la resolución de la imagen, ajustar la exposición, la calidad y la nitidez de la imagen así como los parámetros para la captura de secuencias. Este menú también contiene las funciones de Time-lapse y de impresión de la fecha.

Resolución

Seleccione **Resolution** (Resolución) en el menú principal I y escoja la resolución de imagen requerida pulsando el botón Down (Abajo) (9) y confirmando con el botón Capture/OK (Captura/OK) (8).

Nota: Este modelo soporta las resoluciones siguientes: WVGA/2M/3M/5M/8M/14M.

Captura de Time-lapse

Desde el menú principal I, elija Captura de Time-lapse y a continuación introduzca la configuración de tiempo:

Lapse Num (Número de frames): introduzca la cantidad de frames que quiere tomar con el botón Down (Abajo) (9) y cambie el bloque pulsando el botón Mode (Modo/Reproducción/Foto) (6). El número máximo es 999, lo que significa que durante el tiempo que se configure se tomarán 999 imágenes automáticamente una vez activada la función de captura.

Lapse Time (Tiempo para el Time-Lapse): introduzca el intervalo de tiempo entre capturas de frames pulsando el botón Down (Abajo) (9) y cambie el bloque pulsando el botón Mode (Modo/Reproducción/Foto) (6). El número máximo es 999, lo que significa que el intervalo de tiempo para cada captura es de 999 segundos.

- 1) Pulse el botón Capture/OK (Captura/OK) (8) para confirmar la selección y pulse el botón de Menu (Menú) (7) para volver al modo de vista previa. Pulse el botón Capture/OK (Captura/OK) (8) para iniciar la captura automática. Mientras esté en modo de captura automática la cantidad de imágenes irá descontándose en la esquina superior derecha.
- 2) Cuando se capturen todas las imágenes el microscopio pasará al modo de vista previa normal.

Durante las capturas de Time-lapse el tiempo para el apagado automático debe ser más largo que el tiempo programado. Se recomienda un ajuste de 30 minutos.

Calidad

Seleccione **Quality** (Calidad) en el menú principal I y elija uno de los ajustes existentes. Esto cambiará la ratio de compresión de las imágenes capturadas.

Nitidez

Seleccione **Sharpness** (Nitidez) en el menú principal I y elija uno de los ajustes existentes.

Exposición (Brillo)

Seleccione **Exposure** (Exposición) en el menú principal I y elija un valor.

Impresión de la fecha

Seleccione **Date Stamp** (Impresión de la fecha) en el menú principal I y seleccione una opción.

Menú principal II

Pulse el botón de Menu (Menú) (7) para entrar al menú principal I y púlselo de nuevo para pasar al menú principal II. Esta sección le permite elegir el idioma de la interfaz, activar el modo de ahorro de energía, cambiar la frecuencia de la pantalla, esconder o mostrar la fecha y la hora, configurar la conexión con el televisor, formatear la tarjeta SD, restablecer los ajustes y comprobar la versión del hardware.

Fecha y hora

Seleccione **Date/Time** (Fecha/Hora) en el menú principal II con el botón Down (Abajo) (9) y ajuste la fecha y hora actuales. Pulse el botón Capture/OK (Captura/OK) (8) para confirmar. Puede elegir entre los siguientes formatos para la fecha: AA/MM/DD, DD/MM/AA o MM/DD/AA. Pulse el botón del Menu (Menú) (7) para volver al modo anterior.

Ahorro de energía

Seleccione **Auto Power Off** (Apagado Automático) en el menú principal II y elija el tiempo en espera hasta el apagado automático del microscopio. Pulse el botón Capture/OK (Captura/OK) (8) para confirmar la selección.

Idioma

Seleccione **Language** (Idioma) en el menú principal II y elija uno de los ajustes existentes. Pulse el botón Capture/OK (Captura/OK) (8) para confirmar la selección.

Conexión con el televisor

Seleccione el **TV Mode** (Modo televisor) en el menú principal II y elija entre NTSC y PAL el modo compatible con su televisor. Pulse el botón de Capture/OK (Captura/OK) (8) para confirmar.

Frecuencia de la pantalla

Seleccione **Frequency** (Frecuencia) en el menú principal II y elija uno de los ajustes existentes. Pulse el botón Capture/OK (Captura/OK) (8) para confirmar.

Formatear la tarjeta microSD

Seleccione **Format SD** (Formatear SD) en el menú principal II para formatear la tarjeta instalada. **Todos los archivos de la tarjeta se borrarán cuando la formatee.** Normalmente no es necesario formatear la tarjeta a no ser que no pueda guardar en ella las imágenes capturadas.

Restablecer los ajustes

Seleccione **Default Setting** (Ajustes por defecto) en el menú principal II para volver a los ajustes de fábrica.

Versión del hardware

Seleccione **Version** (Versión) en el menú principal II para comprobar la versión actual del hardware.

File (Archivo)

Photos Directory (Directorio de fotos): Indique un directorio para las imágenes capturadas.

Videos Directory (Directorio de videos): Indique un directorio para los videos grabados.

Options (Opciones)

Resolution (Resolución): Ajuste la resolución de la imagen.

Date/Time (Fecha/Hora): Oculte o muestre la fecha y hora de la captura en la previsualización.

Language (Idioma): Cambie el idioma de la interfaz de usuario.

XY Guide (Cuadrícula/Cruzar): Ocultar o mostrar una cuadrícula en las imágenes.

Full screen mode (Modo de pantalla completa): Activar el modo de pantalla completa.

Capture (Capturar)

Photo (Foto): Capturar una imagen.

Video (Video): Grabar un video.



Guardar



Copiar al portapapeles



Copiar archivo



Imagen anterior



Imagen siguiente



Deshacer



Rehacer



Dibujar



Nota



Medición



Calibrado

Capturar una imagen

Haga clic en el icono correspondiente en la barra de herramientas o seleccione **Photo** (Foto) en el menú de **Capture** (Capturar).

Grabar un video

Haga clic en el icono correspondiente en la barra de herramientas o seleccione **Video** (Video) en el menú de **Capture** (Capturar).

Captura de secuencia

Haga clic en el icono correspondiente en la barra de herramientas. Aparecerá una ventana de diálogo en la que podrá ajustar varios parámetros de la captura de secuencia. Haga clic en el botón de radio **Photo** (Foto) para indicar la hora a la que se empezarán a capturar imágenes, el intervalo entre ellas y el número total de imágenes.

Haga clic en el botón de radio **Video** (Vídeo) para indicar la hora a la que se empezarán a grabar vídeos, su duración, el intervalo entre ellos y el número total de clips.

Calibrado

Antes de calibrar el microscopio active la cuadrícula. Para hacerlo, seleccione **On** (Activar) en **Options** (Opciones) > **XY Guide** (Cuadrícula). Por defecto la cuadrícula está visible. Sitúe la escala de calibrado en la platina y enfoque la vista. Asegúrese de que el eje vertical de la cuadrícula esté paralelo a las divisiones de la escala y capture una imagen. Haga doble clic en la miniatura de la imagen para abrirla en una ventana separada.

Haga clic en el icono correspondiente en la barra de herramientas para empezar el calibrado. Con el ratón, elija dos puntos de la imagen (debe saber la distancia real entre esos puntos). Una vez elegido el segundo punto se abrirá una ventana de diálogo en la que deberá introducir la distancia conocida en el campo **Actual dimension** (Tamaño actual). La aplicación calculará automáticamente la ampliación de la imagen. Haga clic en **OK** para cerrar la ventana de diálogo. La ampliación calculada se mostrará en el campo **Magnification** (Ampliación).

Nota: Los puntos elegidos deben formar una línea horizontal.

Puede comprobar los resultados del calibrado midiendo la misma distancia con la herramienta de **Any Angle Line** (Línea de cualquier ángulo). Haga clic en el icono de mediciones, elija la herramienta de **Any Angle Line** (Línea de cualquier ángulo) y dibuje una línea similar en la imagen. Si la distancia medida es igual a la distancia real, el calibrado se ha logrado.

Recalibrado

El proceso de calibrado debe repetirse si durante las observaciones se cambia la ampliación o el enfoque.

Haga clic en el icono correspondiente en la barra de herramientas y seleccione **Reset picture magnification** (Restaurar la ampliación de la foto) en **Reset magnification** (Restaurar la ampliación). Repita el proceso de calibrado tal y como le hemos indicado anteriormente. Cambie la ampliación y capture unas cuantas imágenes. Haga doble clic en una de las miniaturas para abrir la imagen en una ventana de previsualización. Haga clic en el icono de calibrado en la barra de herramientas y seleccione **Set picture magnification** (Ajustar la ampliación de la foto) en **Set magnification** (Ajustar la ampliación). Introduzca la ampliación actual en la ventana de diálogo que aparece y haga clic en **OK**.

Si desea utilizar la misma ampliación cuando capture imágenes en el futuro, haga clic en el icono de calibrado en la barra de herramientas y seleccione **Set capture magnification** (Ajustar la ampliación de la captura) en **Set magnification** (Ajustar la ampliación).

Mediciones

Se recomienda calibrar el sistema antes de proceder con las mediciones.

Any Angle Line (Línea de cualquier ángulo). Mantenga presionado el botón izquierdo del ratón para comenzar a dibujar una línea. Suelte el botón izquierdo para completarla.

Continuous Line (Línea continua). Use esta herramienta para dibujar una curva en la imagen y medir su longitud.

Radius Circle (Radio del círculo). Dibuje una línea recta en la imagen. La aplicación calculará automáticamente el radio, la circunferencia y el área del círculo correspondiente.

Diameter Circle (Diámetro del círculo). Dibuje una línea recta en la imagen. La aplicación calculará automáticamente el diámetro, la circunferencia y el área del círculo correspondiente.

Three Points Angle (Ángulo de tres puntos). Sitúe tres puntos en la imagen con el ratón. La aplicación calculará automáticamente el valor del ángulo.

Dibujo y texto

PortableCaptureHD le permite añadir dibujos y cuadros de texto a sus imágenes. Abra una imagen en la ventana de previsualización y haga clic en el icono del **Pencil** (Lápiz) en la barra de herramientas. Seleccione una de las herramientas del menú desplegable y dibuje algo en la imagen. Puede editar la fuente y el color de los cuadros de texto haciendo clic en el icono **TT** de la barra de herramientas.

Trabajar con la aplicación para usuarios de Mac OS

Navegue hasta la carpeta **mac** en el CD de instalación y copie el archivo **PortableCaptureHD** al escritorio. Use un cable USB para conectar el microscopio al ordenador. Inicie la aplicación **PortableCaptureHD** haciendo doble clic en su icono.

En la ventana principal de la aplicación se puede ver una imagen ampliada del espécimen observado. En el menú **Options** (Opciones), seleccione **Preview Size** (Tamaño de la vista) para seleccionar la resolución de la imagen. Recuerde que la ventana de la vista preliminar no se puede cambiar de tamaño (la resolución estándar es de 640x480). La resolución de la imagen se muestra en la esquina inferior izquierda de la ventana de vista previa.

En el menú **Options** (Opciones), seleccione **Date/Time** (Fecha/Hora) para mostrar o esconder la fecha y la hora de la captura durante la vista previa.

Haga clic en el icono correspondiente en la barra de herramientas o seleccione **Photo** (Foto) en el menú **Capture** (Capturar) para capturar una imagen. En el lado derecho de la ventana principal aparecerá una imagen en miniatura. Haga clic en el icono correspondiente en la barra de herramientas o seleccione **Vídeo** (Vídeo) en el menú **Capture** (Capturar) para empezar a grabar un vídeo. En el lado derecho de la ventana principal aparecerá un vídeo en miniatura.

Nota: Durante la grabación, el icono de la cámara de vídeo de la barra de herramientas se mostrará en rojo. Haga clic de nuevo en el icono para detener la grabación.

Las miniaturas de imágenes y vídeo se muestran en el lado derecho de la ventana principal de la aplicación. Haga doble clic en una imagen en miniatura para abrirla en una ventana de vista previa separada.

Editar imágenes con la aplicación PortableCaptureHD es similar a trabajar con otras aplicaciones en Mac OS.

Para salir de la aplicación, seleccione **Quit PortableCaptureHD** (Dejar PortableCaptureHD) en el menú principal.

Cuidado y mantenimiento

Nunca, bajo ninguna circunstancia, mire directamente al sol, a otra fuente de luz intensa o a un láser a través de este instrumento, ya que esto podría causar DAÑO PERMANENTE EN LA RETINA y CEGUERA. Los LED blancos son muy brillantes; no los mire directamente ya que podría causarle daños permanentes a la vista. Tome las precauciones necesarias si utiliza este instrumento acompañado de niños o de otras personas que no hayan leído o que no comprendan totalmente estas instrucciones. Tras desembalar el microscopio y antes de utilizarlo por primera vez, compruebe el estado y la durabilidad de cada componente y cada conexión. No intente desmontar el instrumento usted mismo bajo ningún concepto, ni siquiera para limpiar el espejo. Si necesita repararlo o limpiarlo, contacte con el servicio técnico especializado que corresponda a su zona. Proteja el instrumento de impactos súbitos y de fuerza mecánica excesiva. No aplique una presión excesiva al ajustar el foco. No apriete demasiado los tornillos de bloqueo. No toque las superficies ópticas con los dedos. Para limpiar el exterior del instrumento, utilice únicamente los paños y herramientas de limpieza especiales de Levenhuk. No limpie las partículas abrasivas, como por ejemplo arena, con un paño. Únicamente soplelas o bien pase un cepillo blando. No utilice este dispositivo durante períodos largos de tiempo ni lo deje sin atender bajo la luz directa del sol. Protéjalo del agua y la alta humedad. Tenga cuidado durante las observaciones y cuando termine recuerde volver a colocar la cubierta para proteger el dispositivo del polvo y las manchas. Si no va a utilizar el microscopio durante períodos largos de tiempo, guarde las lentes del objetivo y los oculares por separado del microscopio. Guarde el instrumento en un lugar seco y fresco, alejado de ácidos peligrosos y otros productos químicos, radiadores, de fuego y de otras fuentes de altas temperaturas. Para evitar pérdidas de datos o daños al equipo cierre siempre primero la aplicación y luego desconecte el microscopio del PC. Espere hasta que se apague por completo la iluminación y desconecte el microscopio. **En el caso de que alguien se trague una pieza pequeña o una pila, busque ayuda médica inmediatamente.**

Instrucciones de seguridad para las pilas

Compre siempre las pilas del tamaño y grado indicado para el uso previsto. Reemplace siempre todas las pilas al mismo tiempo. No mezcle pilas viejas y nuevas, ni pilas de diferentes tipos. Limpie los contactos de las pilas y del instrumento antes de instalarlas. Asegúrese de instalar las pilas correctamente según su polaridad (+ y -). Quite las pilas si no va a utilizar el instrumento durante un periodo largo de tiempo. Retire lo antes posible las

pilas agotadas. No intente nunca recargar pilas primarias (pilas de un solo uso) ya que podría provocar fugas, fuego o una explosión. No cortocircuite nunca las pilas ya que podría aumentar su temperatura y podría provocar fugas o una explosión. Nunca caliente las pilas para intentar reavivarlas. Recuerde apagar el instrumento después de usarlo. **Mantenga las pilas fuera del alcance de los niños para eliminar el riesgo de ingestión, asfixia o envenenamiento.** Deseche las pilas usadas tal como lo indiquen las leyes de su país.

Especificaciones

Megapíxeles	3
Ampliación	10x–200x
Resoluciones de imagen disponibles	14M, 8M, 5M, 3M, 2M, WVGA
Resoluciones de vídeo disponibles	1080P Full HD, 720P, VGA
Formato de foto/vídeo	*.jpeg / HDMI: *.h264; USB: *.mjpeg
Enfoque	manual, rango de enfoque 0–500 mm
Iluminación	sistema de 8–LED con brillo variable
Fuente de alimentación	cable USB 2.0
Idioma del software	inglés, alemán, español, ruso, italiano, francés, portugués, holandés, polaco, japonés, coreano y chino
Posibilidad de conectar equipamiento adicional	soporte para tarjetas microSD de hasta 32 GB de capacidad (no se incluyen en el kit)
Dimensiones de la montura	–5...+50

Levenhuk se reserva el derecho a modificar o retirar cualquier producto sin previo aviso.

Requisitos del sistema

Monitor: cualquier monitor con entrada HDMI; sistema operativo: Windows 7/8/10, Mac 10.7–10.14; CPU: al menos P4 1,8 Ghz; RAM: 512 MB; GPU: 64 MB; Interfaz: USB 2.0; CD-ROM

Garantía internacional de por vida Levenhuk

Todos los telescopios, microscopios, prismáticos y otros productos ópticos de Levenhuk, excepto los accesorios, cuentan con una **garantía de por vida** contra defectos de material y de mano de obra. La garantía de por vida es una garantía a lo largo de la vida del producto en el mercado. Todos los accesorios Levenhuk están garantizados contra defectos de material y de mano de obra durante **dos años** a partir de la fecha de compra en el minorista. La garantía incluye la reparación o sustitución gratuita del producto Levenhuk en cualquier país en el que haya una oficina Levenhuk si se reúnen todas las condiciones de la garantía. Para más detalles visite nuestra página web: www.levenhuk.es/garantia
En caso de problemas con la garantía o si necesita ayuda en el uso de su producto, contacte con su oficina de Levenhuk más cercana.

Levenhuk DTX TV

Microscopio digitale

IT

Mai, in nessun caso, guardare direttamente il Sole, un'altra fonte luminosa di luce o un laser attraverso questo dispositivo, poiché ciò potrebbe causare DANNI RETINALI PERMANENTI e portare alla Cecità.

Parti del microscopio

- | | |
|---|---------------------------------------|
| 1 Ingresso DC/Porta USB | 7 Pulsante Menu (Menù) |
| 2 Porta HDMI | 8 Pulsante Capture/OK (Cattura/OK) |
| 3 Slot microSD | 9 Pulsante Down (Giù) |
| 4 Regolatore intensità LED | 10 LED |
| 5 Pulsante Inter ruttore on/off | 11 Messa a fuoco |
| 6 Pulsante Mode (Modalità/
Riproduci/Foto) | 12 Righello con lente d'ingrandimento |
| | 13-17 Viti |

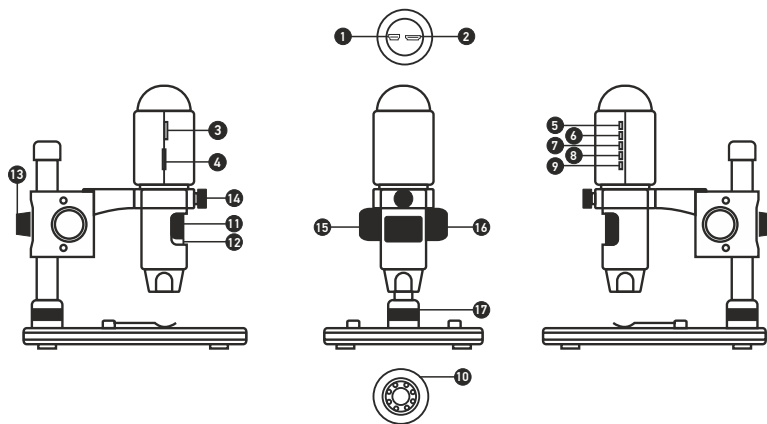
Il kit comprende: microscopio, stativo del microscopio, alimentatore AC, cavo USB, cavo HDMI, scala di calibrazione, CD del software, manuale utente

Montaggio del microscopio

Estrarre il microscopio e tutti gli accessori dalla scatola. Posizionare il tavolino portaoggetti su una superficie stabile. Collegare l'anello di fissaggio del montante (17) al tubo metallico. Inserire il tubo metallico nell'apertura sul tavolino e fissarlo in posizione usando l'anello (17). Inserire il microscopio nel morsetto sulla montatura e stringere la vite di fissaggio (14). Stringere la manopola di fissaggio (13) per fissare la montatura in posizione. Posizionare un campione sul tavolino portaoggetti e usare la manopola della messa a fuoco grossolana (16) per regolare il fuoco dell'immagine. Usa la manopola della regolazione fine della messa a fuoco (11) per una maggiore precisione e nitidezza. A regolazione avvenuta, serrare la manopola di blocco della messa a fuoco (15) per fissare la posizione.

Software PortableCaptureHD

Inserire il CD di installazione nel lettore CD. Verrà mostrata la finestra del menù principale. Fare clic su **Install PortableCaptureHD** (Installa PortableCaptureHD) e seguire le istruzioni sullo schermo per installare l'applicazione. Il CD di installazione contiene una copia di questo manuale utente, che è possibile leggere cliccando sulla voce corrispondente nel menù principale. Connettere il microscopio al PC con il cavo USB ed eseguire l'applicazione PortableCaptureHD. Nel caso in cui il microscopio non fosse connesso al PC, comparirà un messaggio pop-up di avviso.



Cattura un'immagine



Inizia e interrompi registrazione video



Sequenza di scatti (è possibile impostare l'ora di inizio della cattura immagini o video, l'intervallo tra gli scatti, la durata dei video e il numero di immagini o video da catturare)



Modalità schermo intero. Per uscire dalla modalità schermo intero, premere **Esc** (Fuga) sulla tastiera o fare doppio clic in un punto qualsiasi dello schermo

Uso del microscopio

Connessione a TV o monitor con ingresso HDMI

- 1) Connettere il microscopio alla TV o al monitor inserendo il cavo HDMI nella porta dell'ingresso HDMI. Accendere la TV o il monitor e selezionare HDMI come sorgente.
- 2) Collegare il microscopio a una presa usando l'alimentatore in dotazione. Se il microscopio non è già acceso, premere l'interruttore on/off (5) per attivare l'apparecchio e iniziare a vedere l'anteprima sullo schermo.

Cattura di un'immagine

- 1) Inserire la scheda microSD nell'apposito slot (3). La memoria massima supportata è di 32 GB.
- 2) Ruotare la manopola della messa a fuoco (11) per mettere a fuoco al meglio l'immagine dell'oggetto.
- 3) Premere il pulsante Capture/OK (Cattura/OK) (8) e la foto sarà scattata e salvata sulla scheda microSD.

Riproduci

- 1) Inserire la scheda microSD nello slot.
- 2) Premere il pulsante Mode (Modalità) (6) per passare in modalità riproduzione.
- 3) Premere il pulsante Down (Giù) (9) per visualizzare le foto scattate in precedenza. Premere di nuovo il pulsante Mode (Modalità) (6) per ritornare a visualizzare l'anteprima.

Archiviazione di massa su PC

- 1) Inserire la scheda microSD nello slot.
- 2) Connettere il microscopio al PC con il cavo USB per scaricare sul computer le immagini salvate sulla scheda.

Anteprima su PC

- 1) Funziona solamente con il software supportato installato.
- 2) Rimuovere la scheda microSD dallo slot.
- 3) Connettere il microscopio al PC usando il cavo USB.

Menù principale I

Premere il pulsante Menu (Menù) (7) per aprire il menù principale. Da questo menù è possibile impostare la risoluzione dell'immagine, regolarne il tempo di esposizione, la qualità e la nitidezza, nonché impostare i parametri per le sequenze di scatti. Inoltre, questo menù contiene le funzioni Time-lapse e Data e ora.

Risoluzione

Selezionare **Resolution** (Risoluzione) dal menù principale I e scegliere quella desiderata premendo il pulsante Down (Giù) (9) e confermando con il pulsante Capture/OK (Cattura/OK) (8).

Nota: questo modello supporta le seguenti risoluzioni: WVGA/2M/3M/5M/8M/14M.

Fotografia in time-lapse

Dal menù principale I, scegliere Fotografia in time-lapse e quindi inserire le impostazioni di tempo:

Lapse Num (Num Lapse): inserire la quantità di fotogrammi da scattare usando il pulsante Down (Giù) (9) e modificare il blocco premendo il pulsante Mode (Modalità) (6). Il numero massimo è 999, il che significa che verranno scattate automaticamente 999 fotografie nell'intervallo di tempo selezionato.

Lapse Time (Tempo Lapse): inserire l'intervallo di tempo tra una foto e l'altra usando il pulsante Down (Giù) (9) e modificare il blocco premendo il pulsante Mode (Modalità) (6). Il numero massimo è 999, il che significa che l'intervallo di tempo tra uno scatto è l'altro può durare fino a 999 secondi.

Premere il pulsante Capture/OK (Cattura/OK) (8) per confermare la selezione e premere il pulsante Menu (Menù) (7) per tornare a visualizzare l'anteprima. Quindi, premere il pulsante Capture/OK (Cattura/OK) (8) per iniziare la cattura automatica. Una volta avviata la cattura automatica, la quantità di immagini scattate è mostrata nell'angolo in alto a destra.

Quanto tutti i fotogrammi sono stati catturati, il microscopio tornerà alla normale modalità anteprima.

Per la cattura in time-lapse il tempo di spegnimento automatico dev'essere più lungo della durata del time-lapse. Consigliamo di configurare un intervallo di 30 minuti.

Qualità

Selezionare **Quality** (Qualità) dal menù principale I e scegliere una delle impostazioni proposte. In questo modo è possibile modificare il rapporto di compressione delle immagini catturate.

Nitidezza

Selezionare **Sharpness** (Nitidezza) dal menù principale I e scegliere una delle impostazioni proposte.

Esposizione (luminosità)

Selezionare **Exposure** (Esposizione) dal menù principale I e quindi selezionare un valore target.

Indicatore di data

Selezionare **Date Stamp** (Indicatore di data) dal menù principale I e quindi selezionare un'opzione target.

Menù principale II

Premere il pulsante Menu (Menù) (7) per accedere al menù principale I, quindi premerlo di nuovo per accedere al menù principale II. Selezionando questo menù è possibile impostare la

lingua dell'interfaccia, attivare la modalità di risparmio energetico, modificare la frequenza di aggiornamento del display, nascondere o mostrare data e ora, impostare la connessione TV, formattare la scheda microSD, ripristinare le impostazioni base e controllare la versione dell'hardware.

Data e ora

Selezionare **Date/Time** (Data e Ora) dal menù principale II premendo il pulsante Down (Giù) (9) e quindi impostare data e ora correnti. Premere il pulsante Capture/OK (Cattura/OK) (8) per confermare la selezione. È inoltre possibile scegliere uno dei seguenti formati per la data: AA/MM/GG, GG/MM/AA or MM/GG/AA. Premere il pulsante Mode (Modalità) (7) per ritornare a visualizzare l'anteprima.

Risparmio energetico

Selezionare **Auto Power Off** (Spegnimento automatico) dal menù principale II e impostare il tempo di inattività prima che il microscopio si spenga automaticamente. Premere il pulsante Capture/OK (Cattura/OK) (8) per confermare la selezione.

Lingua

Selezionare **Language** (Lingua) dal menù principale II e scegliere una delle impostazioni esistenti. Premere il pulsante Capture/OK (Cattura/OK) (8) per confermare la selezione.

Connessione TV

Selezionare **TV Mode** (Modalità TV) dal menù principale II e quindi selezionare lo standard video corretto per la propria TV tra NTSC e PAL. Premere il pulsante Capture/OK (Cattura/OK) (8) per confermare la selezione.

Frequenza di aggiornamento del display

Selezionare **Frequency** (Frequenza di aggiornamento del display) dal menù principale II e scegliere una delle impostazioni esistenti. Premere il pulsante Capture/OK (Cattura/OK) (8) per confermare la selezione.

Formatta scheda microSD

Selezionare **Format SD** (Formatta microSD) dal menù principale II per formattare la scheda di memoria installata. **La formattazione eliminerà tutti i file dalla scheda.** In genere la formattazione non è necessaria, a meno che la scheda non sia in grado di archiviare le immagini acquisite.

Reset delle impostazioni

Selezionare **Default Setting** (Impostazioni predefinite) dal menù principale II per tornare alle impostazioni di fabbrica.

Versione hardware

Selezionare **Version** (Versione) dal menù principale II per controllare l'attuale versione dell'hardware.

File (File)

Photos Directory (Directory Foto): imposta una directory per le immagini catturate.

Videos Directory (Directory Video): imposta una directory per i video registrati.

Options (Opzioni)

Resolution (Risoluzione): imposta la risoluzione delle immagini.

Date/Time (Data/Ora): nasconde o mostra data e ora della cattura durante l'anteprima.

Language (Lingua): cambia la lingua dell'interfaccia utente.

XY Guide (Guida XY): nasconde o mostra una griglia sulle immagini.

Full screen mode (Modalità schermo intero): passa a schermo intero.

Capture (Cattura)

Photo (Foto): cattura un'immagine.

Video (Video): registra un video.



Salva come



Disegnare



Copia negli appunti



Testo



Copia il file



Misurazione



Immagine precedente



Calibrazione



Immagine successiva



Annulla l'ultima azione



Ripeti l'ultima azione

Cattura di un'immagine

Cliccare sull'icona corrispondente sulla barra degli strumenti o selezionare **Photo** (Foto) dal menù **Capture** (Cattura).

Registrazione di un video

Cliccare sull'icona corrispondente sulla barra degli strumenti o selezionare **Video** (Video) dal menù **Capture** (Cattura).

Sequenza di scatti

Cliccare sull'icona corrispondente sulla barra degli strumenti. Apparirà quindi una finestra di dialogo dove sarà possibile impostare i vari parametri per la sequenza di scatti.

Cliccare sul pulsante di opzione **Photo** (Foto) per impostare l'ora di inizio della cattura immagini, l'intervallo tra gli scatti e il loro numero totale. Cliccare sul pulsante di opzione **Video** (Video) per impostare l'ora di inizio della registrazione video, la sua durata l'intervallo tra le registrazioni e il numero totale di video.

Calibrazione

Prima della calibrazione del microscopio, attivare la griglia sul display. Per farlo, selezionare **On** (Su) da **Options** (Opzioni) > **XY Guide** (Guida XY). La griglia è visibile come impostazione predefinita. Posizionare la scala di calibrazione sul tavolino e mettere a fuoco. Assicurarsi che l'asse verticale della griglia sia parallelo alle tacche sulla scala e catturare un'immagine. Fare doppio clic sull'anteprima dell'immagine per aprirla in una finestra separata.

Cliccare sull'icona corrispondente sulla barra degli strumenti per iniziare la calibrazione. Usando il mouse, scegliere due punti sull'immagine (è necessario conoscere già la distanza esatta tra i due punti). Dopo aver scelto il secondo punto, si aprirà una finestra di dialogo dove immettere la distanza nota nel campo **Actual dimension** (Dimensioni reali). L'applicazione calcolerà automaticamente l'ingrandimento dell'immagine. Cliccare su OK per chiudere la finestra di dialogo. L'ingrandimento calcolato sarà mostrato nel campo **Magnification** (Ingrandimento).

***Nota:** i punti scelti dovrebbero formare una linea orizzontale.*

È possibile controllare i risultati della calibrazione misurando la stessa distanza con lo strumento **Any Angle Line** (Linea spezzata qualsiasi). Cliccare sull'icona di misura, scegliere lo strumento **Any Angle Line** (Linea spezzata qualsiasi). Cliccare sull'icona di misura, scegliere lo strumento **Any Angle Line** (Linea spezzata qualsiasi) e disegnare una linea simile alla precedente sull'immagine. Se la distanza misurata corrisponde alla distanza reale nota, la calibrazione è avvenuta con successo.

Ricalibrazione

Il processo di calibrazione deve essere ripetuto se l'ingrandimento o la messa a fuoco vengono cambiati durante l'osservazione.

Cliccare di nuovo sull'icona corrispondente sulla barra degli strumenti e selezionare **Reset picture magnification** (Reimposta ingrandimento immagine) da **Reset**

magnification (Reimposta ingrandimento). Ripetere il processo di calibrazione descritto sopra. Cambiare l'ingrandimento e catturare qualche immagine. Fare doppio clic sulle miniature per aprire l'immagine corrispondente in modalità anteprima. Cliccare l'icona di calibrazione sulla barra degli strumenti e selezionare **Set picture magnification** (Imposta ingrandimento immagine) da **Set magnification** (Imposta ingrandimento). Inserire l'ingrandimento corrente nella finestra di dialogo e cliccare su **OK**.

Se si desidera utilizzare lo stesso ingrandimento per la cattura di immagini future, cliccare sull'icona di calibrazione sulla barra degli strumenti e selezionare **Set capture magnification** (Imposta ingrandimento cattura) da **Set magnification** (Imposta ingrandimento).

Misure

Si consiglia di calibrare il sistema prima di procedere con le misure.

Any Angle Line (Linea spezzata qualsiasi). Tenere premuto il pulsante sinistro del mouse per iniziare a disegnare una linea. Rilasciare il pulsante sinistro per completare la linea.

Continuous Line (Linea continua). Usare questo strumento per disegnare una linea curva sull'immagine e misurarne la lunghezza.

Radius Circle (Raggio del cerchio). Disegnare una linea retta sull'immagine. L'applicazione calcolerà in automatico raggio, circonferenza e area del cerchio corrispondente.

Diameter Circle (Diametro del cerchio). Disegnare una linea retta sull'immagine. L'applicazione calcolerà in automatico diametro, circonferenza e area del cerchio corrispondente.

Three Points Angle (Angolo per tre punti). Posizionare tre punti sull'immagine usando il mouse. L'applicazione calcolerà automaticamente il valore dell'angolo tra essi.

Disegni e testo

PortableCaptureHD consente di aggiungere disegni e caselle di testo alle immagini. Aprire un'immagine nella finestra di anteprima e cliccare sull'icona **Pencil** (Matita) sulla barra degli strumenti. Seleziona uno degli strumenti dal menù a discesa e disegna sull'immagine. Cliccando sull'icona **TT** sulla barra degli strumenti, è possibile modificare il tipo di carattere e il colore da usare nelle caselle di testo.

Lavorare con l'applicazione per utenti Mac OS

Navigare fino alla cartella **mac** sul CD di installazione e copiare il file PortableCaptureHD sul desktop. Utilizzare un cavo USB per connettere il microscopio al proprio computer. Eseguire l'applicazione **PortableCaptureHD** facendo doppio clic sulla sua icona.

Sarà possibile vedere l'immagine ingrandita del campione osservato nella finestra principale dell'applicazione. Dal menù **Options** (Opzioni), selezionare **Preview Size** (Dimensione

anteprima) per impostare la risoluzione dell'immagine. Considerare che la finestra di anteprima non può essere ridimensionata (la risoluzione standard è 640x480). La risoluzione dell'immagine è mostrata nell'angolo in basso a sinistra della finestra di anteprima.

Dal menù **Options** (Opzioni), selezionare **Date/Time** (Data/Ora) per mostrare o nascondere la data e l'ora della cattura durante l'anteprima.

Cliccare sull'icona corrispondente sulla barra degli strumenti o selezionare **Photo** (Foto) dal menù **Capture** (Cattura) per catturare un'immagine. Sul lato destro della finestra principale apparirà la miniatura di un'immagine. Cliccare sull'icona corrispondente sulla barra degli strumenti o selezionare **Video** (Video) dal menù **Capture** (Cattura) per avviare la registrazione di un video. Sul lato destro della finestra principale apparirà la miniatura di un video.

Nota: durante la registrazione, l'icona della videocamera sulla barra degli strumenti diventerà rossa. Cliccare di nuovo sull'icona per interrompere la registrazione.

Le miniature di immagini e video sono mostrate sul lato destro della finestra principale dell'applicazione. Fare doppio clic sulla miniatura dell'immagine per aprirla in una finestra di anteprima separata.

La modifica delle immagini con l'applicazione PortableCaptureHD è un procedimento simile alle altre applicazioni di Mac OS.

Dal menù principale, selezionare **Quit PortableCaptureHD** (Esci da PortableCaptureHD) per uscire dall'applicazione.

Cura e manutenzione

Non utilizzare in nessun caso questo apparecchio per guardare direttamente il sole, un'altra sorgente di luce ad alta luminosità o un laser, perché ciò potrebbe provocare DANNI PERMANENTI ALLA RETINA e portare a CECITÀ. Nel caso si utilizzi l'apparecchio in presenza di bambini o altre persone che non siano in grado di leggere o comprendere appieno queste istruzioni, prendere le precauzioni necessarie. Dopo aver disimballato il microscopio e prima di utilizzarlo per la prima volta, verificare l'integrità e lo stato di conservazione di tutte le componenti e le connessioni. Non cercare per nessun motivo di smontare autonomamente l'apparecchio. Per qualsiasi intervento di riparazione e pulizia, contattare il centro di assistenza specializzato di zona. Proteggere l'apparecchio da urti improvvisi ed evitare che sia sottoposto ad eccessiva forza meccanica. Durante la messa a fuoco, non applicare una forza eccessiva. Non stringere eccessivamente le viti di bloccaggio. Non toccare le superfici ottiche con le dita. Per pulire l'esterno dell'apparecchio, utilizzare soltanto le salviette apposite e gli strumenti di pulizia dell'ottica apposti offerti da Levenhuk. Non utilizzare fluidi corrosivi o a base di acetone per pulire l'ottica del dispositivo. Per rimuovere eventuali particelle abrasive, ad esempio sabbia, dalle lenti, non strofinare, ma soffiare oppure utilizzare una spazzola

morbida. Non utilizzare il dispositivo per lunghi periodi e non lasciarlo incustodito sotto i raggi diretti del sole. Non esporre il dispositivo all'acqua o a elevata umidità. Prestare attenzione durante le osservazioni e, una volta terminato, rimettere sempre il coperchio protettivo per proteggere l'apparecchio da polvere e macchie. Se non si intende utilizzare il microscopio per periodi prolungati, conservare le lenti obiettivo e gli oculari separatamente dal microscopio. Conservare l'apparecchio in un posto fresco e asciutto, al riparo da acidi pericolosi e altri prodotti chimici, da apparecchi di riscaldamento, da fiamme libere e da altre fonti di calore. When using the microscope, try not to use it near flammable materials or substances (benzene, paper, cardboard, plastic, etc.), as the base may heat up during use, and might become a fire hazard. Always unplug the microscope from a power source before opening the base or changing the illumination lamp. Regardless of the lamp type (halogen or incandescent), give it some time to cool down before trying to change it, and always change it to a lamp of the same type. Always use the power supply with the proper voltage, i.e. indicated in the specifications of your new microscope. Plugging the instrument into a different power outlet may damage the electric circuitry of the microscope, burn out the lamp, or even cause a short circuit. **In caso di ingestione di una parte di piccole dimensioni o di una batteria, richiedere immediatamente assistenza medica.**

Istruzioni per l'utilizzo in sicurezza delle batterie

Acquistare sempre batterie di dimensione e tipo adeguati all'uso previsto. Sostituire sempre tutte le batterie contemporaneamente, evitando accuratamente di mischiare batterie vecchie con batterie nuove oppure batterie di tipo differente. Prima della sostituzione, pulire i contatti della batteria e quelli dell'apparecchio. Assicurarsi che le batterie siano state inserite con la corretta polarità polarità (+ e -). Se non si intende utilizzare l'apparecchio per lungo periodo, rimuovere le batterie. Rimuovere subito le batterie esaurite. Non cercare di ricaricare batterie non ricaricabili, poiché ciò potrebbe causare fuoriuscite tossiche, incendi o esplosioni. Non cortocircuitare le batterie, poiché ciò potrebbe causare surriscaldamento, fuoriuscite tossiche o esplosioni. Non tentare di riattivare le batterie riscaldandole. Non distruggere le batterie. Dopo l'utilizzo, ricordarsi di spegnere l'apparecchio. Per evitare il rischio di ingestione, soffocamento o intossicazione, tenere le batterie fuori dalla portata dei bambini. Smaltire le batterie esaurite secondo le norme vigenti nel proprio paese.

Specificazioni

Megapixel	3
Ingrandimento, x	10–200
Risoluzioni immagine disponibili	14M, 8M, 5M, 3M, 2M, WVGA
Risoluzioni video disponibili	1080P Full HD, 720P, VGA
Formati foto/video	*.jpeg / HDMI: *.h264; USB: *.mjpeg
Messa a fuoco	manuale, 10–500 mm
Illuminazione	sistema a 8 LED con luminosità variabile
Alimentazione	cavo USB 2.0
Lingue software	inglese, tedesco, spagnolo, russo, italiano, francese, portoghese, olandese, polacco, giapponese, coreano, cinese
Possibilità di connettere dispositivi aggiuntivi	supporto per scheda microSD fino a 32 GB di memoria (non inclusa nel kit)
Intervallo operativo di temperatura, °C	–5...+50

Si riserva il diritto di modificare qualsiasi prodotto o sospenderne la produzione senza alcun preavviso.

Requisiti di sistema

Monitor: qualsiasi monitor con ingresso HDMI; sistema operativo: Windows 7/8/10, Mac 10.7–10.14; CPU: P4 1,8 GHz o superiore; RAM: 512 MB; GPU: 64 MB; interfaccia: USB 2.0; unità CD-ROM.

Garanzia internazionale Levenhuk

Tutti i telescopi, i microscopi i binocoli e gli altri prodotti ottici Levenhuk, ad eccezione degli accessori, godono di una **garanzia a vita** per i difetti di fabbricazione o dei materiali. Garanzia a vita rappresenta una garanzia per la vita del prodotto sul mercato. Tutti gli accessori Levenhuk godono di una garanzia di **due anni** a partire dalla data di acquisto per i difetti di fabbricazione e dei materiali. Levenhuk riparerà o sostituirà i prodotti o relative parti che, in seguito a ispezione effettuata da Levenhuk, risultino presentare difetti di fabbricazione o dei materiali. Condizione per l'obbligo di riparazione o sostituzione da parte di Levenhuk di tali prodotti è che il prodotto venga restituito a Levenhuk unitamente ad una prova d'acquisto la cui validità sia riconosciuta da Levenhuk. Per maggiori dettagli, visitare il nostro sito web: www.levenhuk.eu/warranty Per qualsiasi problema di garanzia o necessità di assistenza per l'utilizzo del prodotto, contattare la filiale Levenhuk di zona.

Levenhuk DTX TV

Mikroskop cyfrowy

PL

Pod żadnym pozorem nie wolno kierować urządzenia bezpośrednio na słońce, światło laserowe lub inne źródło jasnego światła bez stosowania specjalnego filtra, ponieważ może to spowodować **TRWAŁE USZKODZENIE SIATKÓWKI** lub doprowadzić do **ŚLEPOTY**.

Elementy mikroskopu

- | | | | |
|---|---------------------------------|-------|---------------------------------|
| 1 | Gniazdo DC i gniazdo USB | 7 | Menu (Menu) |
| 2 | Gniazdo HDMI | 8 | Capture/OK (Przechwytywanie/OK) |
| 3 | Gniazdo na kartę microSD | 9 | Down (W dół) |
| 4 | Regulator światła LED | 10 | LED |
| 5 | Wł./wył. zasilania | 11 | Pokrętło regulacji ostrości |
| 6 | Mode (Tryb/odtwarzanie/zdjęcie) | 12 | Linijka powiększająca |
| | | 13-17 | Śruby |

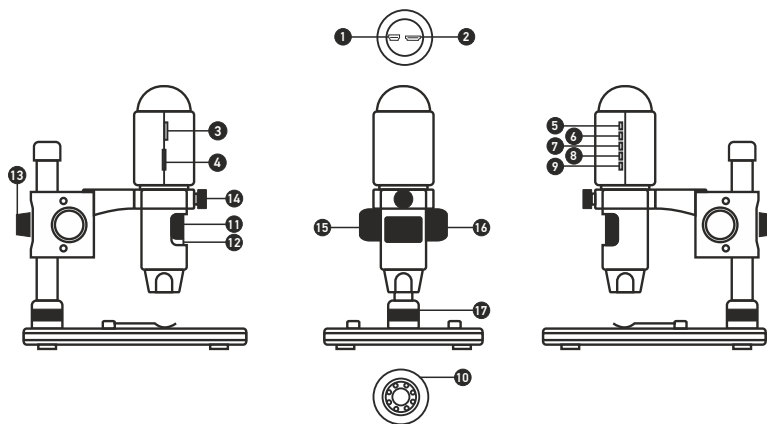
W skład zestawu wchodzi: mikroskop cyfrowy, statyw mikroskopu, zasilacz sieciowy, kabel USB, kabel HDMI, skala kalibracyjna, płyta CD z oprogramowaniem, instrukcja obsługi.

Montaż mikroskopu

Wymij mikroskop i wszystkie akcesoria z opakowania. Umieść stolik na stabilnym podłożu. Przymocuj pierścień blokujący montaż (17) do metalowej rurki montażu. Włóż metalową rurkę do otworu w stoliku i zamocuj ją za pomocą pierścienia (17). Włóż mikroskop do zacisku na ramieniu montażu i dokręć śrubę blokującą (14). Dokręć pokrętło blokujące (13), aby unieruchomić ramię montażu. Umieść próbkę na stoliku i ustaw ostrość obrazu za pomocą pokrętła regulacji zgrubnej (16). Użyj pokrętła regulacji precyzyjnej (11), aby uzyskać jak najdokładniejszy i najostrejszy obraz. Po ustawieniu ostrości obrazu dokręć śrubę blokującą (15), aby zablokować odpowiednią ostrość.

Praca z aplikacją PortableCaptureHD

Umieść płytę instalacyjną w napędzie CD. Wyświetlone zostanie okno menu głównego. Kliknij **Install PortableCaptureHD** (Zainstaluj PortableCaptureHD), aby zainstalować aplikację, i postępuj według instrukcji wyświetlanych na ekranie. Podłącz mikroskop do komputera za pomocą kabla USB i uruchom aplikację PortableCaptureHD. Jeżeli mikroskop nie będzie podłączony do komputera, wyświetlony zostanie komunikat ostrzegawczy.



Przechwytywanie obrazu



Rozpoczynanie i zatrzymywanie nagrywania filmu



Przechwytywanie sekwencji (możliwość wprowadzenia czasu rozpoczęcia przechwytywania obrazów lub wideo, czasu trwania nagrania oraz liczby obrazów lub filmów do przechwylenia)



Tryb pełnoekranowy. Aby opuścić tryb pełnoekranowy, naciśnij przycisk Esc (Ucieczka) na klawiaturze lub dwukrotnie kliknij dowolne miejsce na ekranie

Korzystanie z mikroskopu

Podłączanie do telewizora/monitora z wejściem HDMI

- 1) Podłącz mikroskop do telewizora/monitora z wejściem HDMI za pomocą kabla HDMI. Włącz zasilanie telewizora/monitora i wybierz ustawienie HDMI.
- 2) Podłącz mikroskop do dołączonego zasilacza. Włącz zasilanie mikroskopu, naciskając przycisk wł./wył. zasilania (5), jeśli urządzenie nie jest jeszcze włączone, a następnie możesz rozpocząć obserwację obrazu na ekranie.

Przechwytywanie zdjęcia

- 1) Włóż kartę microSD do gniazda na kartę microSD (3). Maks. pojemność karty: 32 GB.
- 2) Za pomocą pokrętki regulacji ostrości (11) ustaw najlepszą ostrość obrazu.
- 3) Naciśnij przycisk Capture/OK (Przechwytywanie/OK) (8). Zdjęcie zostanie wykonane i zapisane na karcie microSD.

Odtwarzanie

- 1) Z kartą microSD w gnieździe.
- 2) Naciśnij przycisk Mode (Tryb/odtwarzanie/zdjęcie) (6), aby przejść do trybu odtwarzania.
- 3) Naciśnij strzałkę Down (W dół) (9), aby przejść do poprzedniego zdjęcia. Naciśnij przycisk Mode (Tryb/odtwarzanie/zdjęcie) (6) ponownie, aby powrócić do podglądu.

Pamięć masowa na komputerze

- 1) Z kartą microSD w gnieździe.
- 2) Podłącz mikroskop do komputera za pomocą kabla USB, aby pobrać zdjęcia z karty na komputer.

Podgląd na komputerze

- 1) Działa tylko po zainstalowaniu odpowiedniego oprogramowania.
- 2) Wyjmij kartę microSD z gniazda.
- 3) Podłącz mikroskop do komputera za pomocą kabla USB.

Menu główne I

Naciśnij przycisk Menu (7), aby otworzyć menu główne. Menu to umożliwia ustawianie rozdzielczości obrazu, regulację ekspozycji, jakości i ostrości oraz wprowadzanie parametrów przechwytywania sekwencji. Menu zawiera również funkcje filmu poklatkowego i datownika.

Rozdzielczość

Z menu głównego I wybierz **Resolution** (Rozdzielczość) i ustaw wymaganą rozdzielczość obrazu, naciskając strzałkę Down (W dół) (9), a następnie naciśnij przycisk Capture/OK (Przechwytywanie/OK) (8), aby potwierdzić.

Uwaga: w modelu można wprowadzić rozdzielczość o następujących wartościach: WVGA/2M/3M/5M/8M/14M.

Film poklatkowy

Z menu głównego I wybierz **Time-lapse Capture** (Film poklatkowy) i przejdź do ustawień czasu:

Lapse Num (Liczba klatek): za pomocą strzałki Down (W dół) (9) wprowadź liczbę klatek, którą chcesz wykonać i zmień odcinek, naciskając przycisk Mode (Tryb/odtwarzanie/zdjęcie) (6). Maksymalna liczba to 999, co oznacza, że w określonym czasie automatycznie zostanie zrobionych 999 zdjęć, a następnie zostanie aktywowana funkcja filmu poklatkowego.

Lapse Time (Czas filmu poklatkowego): za pomocą strzałki Down (W dół) (9) wprowadź czas pomiędzy poszczególnymi klatkami i zmień odcinek, naciskając przycisk Mode (Tryb/odtwarzanie/zdjęcie) (6). Maksymalna liczba to 999, co oznacza, że czas pomiędzy poszczególnymi klatkami wynosi 999 sekund.

Naciśnij przycisk Capture/OK (Przechwytywanie/OK) (8), aby potwierdzić wybór i przycisk Menu (7), aby powrócić do podglądu. Następnie naciśnij przycisk Capture/OK (Przechwytywanie/OK) (8), aby rozpocząć automatyczne robienie zdjęć. Podczas automatycznego robienia zdjęć liczba wykonanych zdjęć będzie wyświetlana w prawym górnym rogu.

Po wykonaniu wszystkich zdjęć mikroskop powróci do normalnego trybu podglądu.

W przypadku filmu poklatkowego czas automatycznego wyłączenia zasilania będzie dłuższy od ustawionego czasu filmu poklatkowego. Zalecane ustawienie to 30 minut.

Jakość

Z menu głównego I wybierz **Quality** (Jakość), a następnie jedno z dostępnych ustawień. Nastąpi zmiana stopnia kompresji przechwyconych obrazów.

Ostrość

Z menu głównego I wybierz **Sharpness** (Ostrość), a następnie jedno z dostępnych ustawień.

Ekspozycja (jasność)

Z menu głównego I wybierz **Exposure** (Ekspozycja), a następnie wybierz żądaną wartość.

Date Stamp (datownik)

Z menu głównego I wybierz **Date Stamp** (Datownik), a następnie wybierz żądaną opcję.

Menu główne II

Naciśnij przycisk Menu (7), aby przejść do menu głównego I, a następnie naciśnij go ponownie, aby przejść do menu głównego II. Część ta umożliwia wybór języka interfejsu, uruchomienie trybu oszczędności energii, zmianę częstotliwości wyświetlania, ukrywanie lub wyświetlanie daty i godziny, konfigurację połączenia z telewizorem, formatowanie karty SD, resetowanie ustawień oraz sprawdzenie wersji oprogramowania.

Data i godzina

Z menu głównego II wybierz **Date/Time** (Data/Godzina), naciskając strzałkę Down (W dół) (9) i wprowadź aktualną datę i godzinę. Naciśnij przycisk Capture/OK (Przechwytywanie/OK) (8), aby potwierdzić wprowadzanie. Możesz również wybrać jeden z poniższych formatów daty: YY/MM/DD (RR/MM/DD), DD/MM/YY (DD/MM/RR) lub MM/DD/YY (MM/DD/RR). Naciśnij przycisk Menu (7), aby powrócić do trybu podglądu.

Oszczędność energii

Z menu głównego II wybierz **Auto Power Off** (Automatyczne Wyłączenie Zasilania) i wprowadź czas bezczynności, jaki musi upłynąć, aby mikroskop automatycznie się wyłączył. Naciśnij przycisk Capture/OK (Przechwytywanie/OK) (8), aby potwierdzić wybór.

Język

Z menu głównego II wybierz **Language** (język), a następnie jedno z dostępnych ustawień. Naciśnij przycisk Capture/OK (Przechwytywanie/OK) (8), aby potwierdzić wybór.

Połączenie z telewizorem

Z menu głównego II wybierz **TV Mode** (Tryb TV), a następnie wybierz odpowiedni tryb kompatybilny z telewizorem: NTSC lub PAL. Naciśnij przycisk Capture/OK (Przechwytywanie/OK) (8), aby potwierdzić wybór.

Częstotliwość wyświetlania

Z menu głównego II wybierz **Frequency** (Częstotliwość), a następnie jedno z dostępnych ustawień. Naciśnij przycisk Capture/OK (Przechwytywanie/OK) (8), aby potwierdzić wybór.

Formatowanie karty microSD

Z menu głównego wybierz **Format SD** (Formatuj SD), aby sformatować zainstalowaną kartę pamięci. **Po sformatowaniu karty wszystkie pliki na karcie zostaną usunięte.** Zwykle formatowanie karty nie jest konieczne, chyba że Twoja karta nie może zapisać przechwyconego obrazu.

Resetowanie ustawień

Z menu głównego II wybierz **Default Setting** (Ustawienia Domyślne), aby przywrócić ustawienia fabryczne.

Wersja urządzenia

Z menu głównego wybierz **Version** (Wersja), aby sprawdzić wersję używanego urządzenia.

File (Plik)

Photos Directory (Katalog zdjęć): wybór katalogu, w którym zapisywane będą przechwycone obrazy.

Videos Directory (Katalog wideo): wybór katalogu, w którym zapisywane będą nagrania.

Options (Opcje)

Resolution (Rozdzielczość): ustawianie rozdzielczość obrazu.

Date/Time (Data/Czas): ukrywanie lub wyświetlanie daty i godziny podczas przechwytywania.

Language (Język): zmiana języka interfejsu użytkownika.

XY Guide (Siatka): ukryj lub pokaż siatkę na obrazach.

Full screen mode (Tryb pełnoekranowy): przejście w tryb pełnoekranowy.

Capture (Przechwyć)

Photo (Zdjęcie): przechwycenie obrazu.

Video (Film): nagranie filmu.



Zapisz jako



Rysowanie



Kopiuj do schowka



Notatka tekstowa



Kopiuj plik



Pomiar



Poprzedni obraz



Kalibracja



Następny obraz



Cofnij ostatnią czynność



Ponów

Przechwytywanie obrazu

Kliknij odpowiednią ikonę na pasku zadań lub wybierz **Photo** (Zdjęcie) z menu **Capture** (Przechwyć).

Nagrywanie filmu

Kliknij odpowiednią ikonę na pasku zadań lub wybierz **Video** (Film) z menu **Capture** (Przechwyć).

Przechwytywanie sekwencji

Kliknij odpowiednią ikonę na pasku zadań. Wyświetlone zostanie okno dialogowe umożliwiające wprowadzenie liczby parametrów przechwytywania sekwencji. Kliknij przycisk opcji **Photo** (Zdjęcie), aby wprowadzić czas rozpoczęcia przechwytywania obrazów, przerwy między przechwytywaniami oraz łączną liczbę obrazów. Kliknij przycisk opcji **Video** (Film), aby wprowadzić czas rozpoczęcia nagrywania, czas trwania nagrań, przerwy pomiędzy filmami oraz łączną liczbę filmów.

Kalibracja

Przed skalibrowaniem mikroskopu włącz podziałkę. Aby to zrobić, wybierz opcję **On** (Wł.) w menu **Options** (Opcje) > **XY Guide** (Siatka). Domyślnie podziałka jest widoczna. Umieść skalę kalibracyjną na stoliku i wyostrz obraz. Upewnij się, że pionowa oś podziałki jest równoległa względem linii na skali i przechwyć obraz. Dwukrotnie kliknij miniaturę obrazu, aby otworzyć ją w osobnym oknie. Kliknij odpowiednią ikonę na pasku zadań, aby rozpocząć kalibrację. Za pomocą myszy zaznacz dwa punkty na obrazie (konieczna jest znajomość rzeczywistej odległości pomiędzy punktami). Po zaznaczeniu drugiego punktu wyświetlone zostanie okno dialogowe, w którym należy wprowadzić znaną odległość w polu **Actual dimension** (Wymiar rzeczywisty). Aplikacja automatycznie wyznaczy stopień powiększenia obrazu. Kliknij **OK**, aby zamknąć okno dialogowe. Wyznaczone powiększenie zostanie wyświetlone w polu **Magnification** (Powiększenie).

Uwaga: zaznaczone punkty powinny tworzyć linię poziomą.

Wyniki kalibracji można sprawdzić, mierząc tę samą szerokość za pomocą narzędzia **Any Angle Line** (Linia o dowolnym kącie). Kliknij ikonę pomiarów, wybierz **Any Angle Line** (Linia o dowolnym kącie) i narysuj podobną linię na obrazie. Jeżeli zmierzona odległość jest taka sama jak odległość rzeczywista, oznacza to, że kalibracja powiodła się.

Ponowna kalibracja

Kalibrację należy powtórzyć, jeżeli powiększenie lub ostrość zostały zmienione podczas obserwacji.

Ponownie kliknij odpowiednią ikonę na pasku zadań i wybierz **Reset picture magnification** (Resetuj powiększenie obrazu) w poleceniu **Reset magnification** (Resetuj powiększenie). Powtórz proces kalibracji w sposób opisany powyżej. Zmień powiększenie i przechwyć kilka obrazów. Dwukrotnie kliknij jedną z miniatur, aby otworzyć obraz w oknie podglądu. Kliknij ikonę kalibracji na pasku narzędzi i wybierz **Set picture magnification** (Ustaw powiększenie obrazu) w poleceniu **Set magnification** (Ustaw powiększenie). W wyświetlonym oknie dialogowym wprowadź aktualną wartość powiększenia i kliknij **OK**. Jeżeli podczas przechwytywania obrazów w przyszłości powiększenie ma zostać zachowane, kliknij ikonę kalibracji na pasku narzędzi i wybierz **Set capture magnification** (Ustaw powiększenie przechwytywania) w poleceniu **Set magnification** (Ustaw powiększenie).

Pomiary

Przed wykonaniem pomiarów zaleca się skalibrowanie systemu.

Any Angle Line (Linia o dowolnym kącie). Naciśnij i przytrzymaj lewy przycisk myszy, aby rozpocząć rysowanie linii. Zwolnij lewy przycisk myszy, aby zakończyć rysowanie linii.

Continuous Line (Linia ciągła). Narzędzie służy do rysowania i pomiaru długości krzywych na obrazie.

Radius Circle (Promień okręgu). Po narysowaniu prostej linii na ekranie aplikacja automatycznie wyznacza promień okręgu oraz obwód i pole odpowiadającego koła.

Diameter Circle (Średnica okręgu). Po narysowaniu prostej linii na ekranie aplikacja automatycznie wyznacza średnicę okręgu oraz obwód i pole odpowiadającego koła.

Three Points Angle (Kąt na podstawie trzech punktów). Za pomocą myszy zaznacz na ekranie trzy punkty. Aplikacja automatycznie wyznaczy wielkość kąta.

Rysowanie i wprowadzanie notatek tekstowych

PortableCaptureHD umożliwia dodawanie do obrazów rysunków i pól tekstowych. Otwórz obraz w oknie podglądu i kliknij ikonę **Pencil** (Ołówek) na pasku zadań. Z rozwijanego menu wybierz jedno z narzędzi i wykonaj rysunek na obrazie. Kliknięcie ikony **TT** na pasku narzędzi umożliwia edytowanie typu i koloru czcionki tekstu wpisywanego w polach tekstowych.

Praca z aplikacją przez użytkowników systemu Mac OS

Odszukaj folder **mac** na płycie instalacyjnej i skopiuj plik **PortableCaptureHD** na pulpit. Podłącz mikroskop do komputera za pomocą kabla USB. Uruchom aplikację **PortableCaptureHD**, klikając dwukrotnie jej ikonę.

W menu **Options** (Opcje) wybierz **Preview Size** (Rozmiar podglądu), aby ustawić rozdzielczość obrazu. Pamiętaj, że nie można zmienić rozmiaru okna podglądu (standardowa rozdzielczość to 640x480). Rozdzielczość obrazu podawana jest w lewym dolnym rogu okna podglądu.

W menu **Options** (Opcje) wybierz **Date/Time** (Data/Godzina), aby wyświetlić lub ukryć datę i godzinę przechwytywania podczas podglądu.

Aby przechwyć obraz, kliknij odpowiednią ikonę na pasku zadań lub wybierz **Photo** (Zdjęcie) z menu **Capture** (Przechwytywanie). Po prawej stronie głównego okna wyświetlona zostanie miniatura obrazu. Aby rozpocząć nagrywanie filmu, kliknij odpowiednią ikonę na pasku zadań lub wybierz **Video** (Film) z menu **Capture** (Przechwytywanie).

Uwaga: podczas nagrywania kolor ikony kamery na pasku narzędzi zmieni się na czerwoną. Kliknij ikonę ponownie, aby zatrzymać nagrywanie.

Miniatury obrazów i filmów wyświetlane są po prawej stronie głównego okna aplikacji. Dwukrotnie kliknij miniaturę obrazu, aby utworzyć ją w osobnym oknie podglądu.

Edycja obrazów w aplikacji PortableCaptureHD przebiega w sposób podobny do obsługi innych aplikacji w systemie Mac OS.

Aby opuścić aplikację, w menu głównym wybierz **Quit PortableCaptureHD** (Wyjdź PortableCaptureHD).

Konserwacja i pielęgnacja

Pod żadnym pozorem nie wolno kierować urządzenia bezpośrednio na słońce, światło laserowe lub inne źródło jasnego światła bez stosowania specjalnego filtra, ponieważ może to spowodować TRWAŁE USZKODZENIE SIATKÓWKI lub doprowadzić do ŚLEPOTY. Białe diody LED świecą niezwykle jasnym światłem, z tego powodu nie należy patrzeć na nie bezpośrednio, ponieważ może to doprowadzić do trwałego uszkodzenia wzroku. Zachowaj szczególną ostrożność, gdy urządzenia używają dzieci lub osoby, które nie w pełni zapoznają się z instrukcjami. Nie podejmuj prób samodzielnego demontażu urządzenia, nawet w celu wyczyszczenia lustra. W celu wszelkich napraw i czyszczenia skontaktuj się z punktem serwisowym. Po rozpakowaniu mikroskopu i przed jego pierwszym użyciem należy sprawdzić stan i prawidłowość podłączenia każdego elementu. Nie dotykać powierzchni optycznych palcami. Soczewki czyścić za pomocą ściereczki czyszczącej lub ściereczki nasączonej alkoholem. Polecamy stosowanie specjalnych środków do czyszczenia układu optycznego firmy Levenhuk. Nie czyścić układu optycznego za pomocą środków żrących lub zawierających aceton. Cząsteczki ściierające, takie jak ziarna piasku, powinny być zdmuchiwane z powierzchni soczewek lub usuwane za pomocą miękkiej szcztotki. Nie używać nadmiernej siły podczas ustawiania ostrości. Nie należy dokręcać zbyt mocno śrub blokujących. Chronić przyrząd przed upadkami z wysokości i działaniem nadmiernej siły mechanicznej. Przyrząd powinien być przechowywany w suchym, chłodnym miejscu, z dala od kurzu, niebezpiecznych kwasów oraz innych substancji chemicznych, grzejników, otwartego ognia i innych źródeł wysokiej temperatury. Nie wystawiać przyrządu na długotrwałe działanie promieni słonecznych. Trzymać z dala od wody. Nie przechowywać w warunkach wysokiej wilgoci, nie zanurzać. Podczas obserwacji należy zachować ostrożność. Po zakończeniu obserwacji założyć osłonę przeciwpylową w celu zabezpieczenia mikroskopu przed kurzem i zanieczyszczeniami. W przypadku korzystania z mikroskopu przez dłuższy czas soczewki obiektywowe i okulary oraz mikroskop należy przechowywać osobno. Aby uniknąć utraty danych lub uszkodzenia urządzenia, należy najpierw zamknąć aplikację, a dopiero później odłączyć mikroskop od komputera. Zaczekać, aż podświetlenie całkowicie się wyłączy, i odłączyć mikroskop. **W przypadku potknięcia małej części lub baterii należy natychmiast zwrócić się o pomoc medyczną.**

Instrukcje dotyczące bezpiecznego obchodzenia się z bateriami

Należy używać baterii odpowiedniego typu i w odpowiednim rozmiarze. Należy wymieniać wszystkie baterie jednocześnie; nie należy łączyć starych i nowych baterii ani baterii różnych

typów. Przed włożeniem baterii należy wyczyścić styki baterii i urządzenia. Podczas wkładania baterii należy zwracać uwagę na ich bieguny (znaki + i -). Jeśli sprzęt nie będzie używany przez dłuższy czas, należy wyjąć baterie. Zużyte baterie należy natychmiast wyjąć. Nie ładować baterii jednorazowych, ponieważ wiąże się to z ryzykiem wycieku, pożaru lub wybuchu. Nie doprowadzać do zwarcia baterii, ponieważ wiąże się to z ryzykiem powstania wysokich temperatur, wycieku lub wybuchu. Nie ogrzewać baterii w celu przedłużenia czasu ich działania. Należy pamiętać o wyłączeniu urządzenia po zakończeniu użytkowania. Baterie przechowywać w miejscu niedostępnym dla dzieci, aby uniknąć ryzyka potknięcia, uduszenia lub zatrucia.

Dane techniczne

Megapikseli	3
Powiększenie, x	10–200
Dostępne rozdzielczości obrazu	14M, 8M, 5M, 3M, 2M, WVGA
Dostępne rozdzielczości filmu	1080P Full HD, 720P, VGA
Zdjęcie / Film	*.jpeg / HDMl: *.h264; USB: *.mjpeg
Regulacja ostrości	ręczna, 10–500 mm
Podświetlenie	system 8 diod LED z regulacją jasności
Źródło zasilania	kabel USB 2.0
Język oprogramowania	angielski, niemiecki, hiszpański, rosyjski, włoski, francuski, portugalski, niderlandzki, polski, japoński, koreański, chiński
Możliwość podłączenia dodatkowego sprzętu	wspiera karty microSD o pojemności do 32 GB (zestaw nie zawiera)
Działania w zakresie temperatur, °C	–5...+50

Levenhuk zastrzega sobie prawo do modyfikowania lub zakończenia produkcji dowolnego produktu bez wcześniejszego powiadomienia.

Wymagania systemowe

Monitor: jakikolwiek monitor z gniazdem HDMI; system operacyjny: Windows 7/8/10, Mac 10.7–10.14; procesor: co najmniej P4 1,8 Ghz; pamięć RAM: 512 MB; GPU: 64 MB; interfejs: USB 2.0; CD-ROM.

Gwarancja międzynarodowa Levenhuk

Wszystkie teleskopy, mikroskopy, lornetki i inne przyrządy optyczne Levenhuk, za wyjątkiem akcesoriów, posiadają **dożywotnią gwarancję** obejmującą wady materiałowe i wykonawcze. Dożywotnia gwarancja to gwarancja na cały okres użytkowania produktu. Wszystkie akcesoria Levenhuk są wolne od wad materiałowych i wykonawczych i pozostaną takie przez **dwa lata** od daty zakupu detalicznego. Levenhuk naprawi lub wymieni produkt w dowolnym kraju, w którym Levenhuk posiada swój oddział, o ile spełnione będą warunki gwarancji. Więcej informacji na ten temat znajduje się na stronie: www.levenhuk.pl/gwarancja W przypadku wątpliwości związanych z gwarancją lub korzystaniem z produktu, proszę skontaktować się z lokalnym przedstawicielem Levenhuk.

Microscópio digital Levenhuk DTX TV

PT

Nunca, em qualquer circunstância, olhe diretamente para o Sol, outra fonte de luz brilhante ou laser através deste dispositivo, pois isso pode causar DANO RETINAL IMPOSSÍVEL e pode levar para CEGUEIRA.

Peças do microscópio

- | | | | |
|---|---|-------|--------------------------------|
| 1 | Entrada DC e porta USB | 7 | Botão Menu |
| 2 | Porta HDMI | 8 | Botão Capture/OK (Capturar/OK) |
| 3 | Slot microSD | 9 | Botão Down (Para baixo) |
| 4 | Regulador de LEDs | 10 | LED |
| 5 | Power On/off (Ligar/desligar) | 11 | Roda de foco |
| 6 | Botão Mode (Modo/
Reprodução/Fotografia) | 12 | Régua de ampliação |
| | | 13-17 | Parafusos |

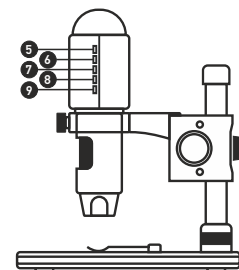
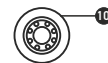
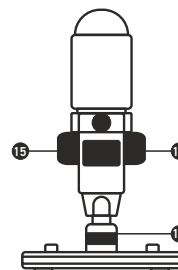
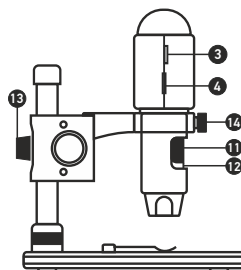
O kit inclui: Microscópio, suporte de microscópio, adaptador de AC, cabo USB, cabo HDMI, escala de calibração, CD de software, manual do utilizador.

Montagem do microscópio

Tire o microscópio e todos os acessórios da embalagem. Coloque a lâmina numa superfície estável. Fixe o anel de bloqueio de montagem (17) ao tubo metálico de montagem. Insira o tubo metálico na abertura na lâmina e bloqueie-o na posição correta com o anel (17). Insira o microscópio no grampo no braço de montagem e aperte o parafuso de bloqueio (14). Aperte o botão de bloqueio (13) para bloquear o braço de montagem na posição correta. Coloque um espécime na lâmina e utilize o botão de foco grosseiro (16) para focar a visualização. Utilize o botão de foco preciso (11) para máxima precisão e nitidez. Após focar a visualização, aperte o botão de bloqueio de foco (15) para bloquear os resultados.

Software PortableCaptureHD

Insira o CD de instalação na sua unidade de CD. A janela do menu principal será apresentada. Clique no botão **Install PortableCaptureHD** (Instalar PortableCaptureHD) para instalar a aplicação e siga as instruções no ecrã. O CD de instalação contém uma cópia deste manual de utilizador que pode ler, clicando na entrada correspondente no Menu principal. Ligue o microscópio ao PC com um cabo USB e execute a aplicação PortableCaptureHD. Uma mensagem de pop-up irá avisar se o microscópio não estiver ligado ao PC.



Captura de imagem



Iniciar e parar gravação de vídeo



Captura em sequência (pode definir a hora para começar a capturar imagens ou vídeos, o intervalo entre capturas, a duração do vídeo e o número de imagens ou vídeos a serem capturados)



Modo de ecrã inteiro. Para sair do modo de ecrã inteiro, prima o botão **Escape** (Fuga) no seu teclado ou clique duas vezes em qualquer lugar no ecrã.

Utilização do microscópio

Ligação à TV/monitor com entrada HDMI

- 1) Ligue o microscópio à TV/monitor, inserindo o cabo HDMI na porta de entrada HDMI. Ligue a alimentação da sua TV/monitor e selecione a definição HDMI.
- 2) Ligue o microscópio ao adaptador de alimentação fornecido. Se o microscópio ainda não estiver ligado, ligue a alimentação do microscópio, premindo o botão Ligar/Desligar (5), se o dispositivo não estiver ligado, e, em seguida, pode iniciar a pré-visualização no ecrã.

Captura de imagem

- 1) Insira um cartão microSD na ranhura microSD (3). O tamanho máximo do cartão é 32 GB.
- 2) Rode a roda de foco (11) para focar a imagem do seu objeto para o melhor foco.
- 3) Prima o botão Capture/OK (Capturar/OK) (8) e a fotografia será capturada e guardada no cartão microSD.

Reprodução

- 1) Introduza o cartão microSD na ranhura.
- 2) Prima o botão Mode (Modo/Reprodução/Fotografia) (6) para mudar para o modo de reprodução.
- 3) Prima o botão Down (Para baixo) para ver a fotografia capturada anterior. Prima o botão Mode (Modo/Reprodução/Fotografia) (6) novamente para voltar à pré-visualização.

Armazenamento em massa no PC

- 1) Introduza o cartão microSD na ranhura.
- 2) Ligue o microscópio ao PC com o cabo USB para transferir imagens do cartão para o computador.

Pré-visualização no PC

- 1) Funciona apenas com software suportado instalado.
- 2) Remova o cartão microSD da ranhura.
- 3) Ligue o microscópio ao PC com o cabo USB.

Menu principal I

Prima o botão Menu (7) para abrir o menu principal. A partir deste menu, pode definir a resolução da imagem, ajustar a exposição, a qualidade e a nitidez da imagem, bem como definir parâmetros para a captura em sequência. Além disso, este menu contém funções Lapso de tempo e Carimbo de data.

Resolução

Selecione **Resolution** (Resolução) no menu principal e escolha a resolução de imagem necessária, premindo o botão Down (Para baixo) (9) e, em seguida, confirme premindo o botão Capture/OK (Capturar/OK) (8).

Nota: Este modelo suporta as seguintes resoluções: WVGA/2M/3M/5M/8M/14M.

Captura de lapso de tempo

A partir do menu principal I, selecione Captura de lapso de tempo e, em seguida, introduza a configuração da tempo:

Lapse Num (Número de lapso): Introduza a quantidade de fotogramas que pretende obter com o botão Down (Para baixo) (9) e altere o bloco, premindo o botão Mode (Modo/Reprodução/Fotografia) (6). O número máximo é 999, o que significa que 999 imagens serão automaticamente capturadas no intervalo de tempo selecionado.

Lapse Time (Tempo de lapso): Introduza o tempo do intervalo entre a captura de fotogramas com o botão Down (Para baixo) (9) e altere o bloco, premindo o botão Mode (Modo/Reprodução/Fotografia) (6). O número máximo é 999, o que significa que o intervalo de tempo para cada captura é de 999 segundos.

Prima o botão Capture/OK (Capturar/OK) (8) para confirmar a seleção e prima o botão Menu (7) para regressar ao estado de pré-visualização. Em seguida, prima o botão Capture/OK (Capturar/OK) (8) para iniciar a captura automática. No estado de captura automática, a quantidade de imagem será mostrada no canto superior direito.

Quando todos os fotogramas estiverem capturados, o microscópio regressará à pré-visualização normal.

Para a captura de lapso de tempo, o tempo da opção de desligar automaticamente deve ser superior ao do conjunto de lapso de tempo. É recomendada uma definição de 30 minutos.

Qualidade

Selecione **Quality** (Qualidade) no menu principal I e escolha uma das definições existentes. Assim, irá alterar a taxa de compressão das imagens capturadas.

Nitidez

Selecione **Sharpness** (Nitidez) no menu principal I e escolha uma das definições existentes.

Exposição (Brilho)

Selecione **Exposure** (Exposição) no menu principal I e, em seguida, selecione um valor de destino.

Carimbo de data

Selecione **Date Stamp** (Carimbo de data) no menu principal I e, em seguida, selecione uma opção de destino.

Menu principal II

Prima o botão Menu (7) para entrar no menu principal I e, em seguida, prima-o mais uma vez

para entrar no menu principal II . Esta secção permite definir o idioma da interface, ligar o modo de poupança de energia, alterar a frequência de visualização, ocultar ou apresentar a data e hora, configurar a ligação de TV, formatar o cartão SD, repor as definições e verificar a versão de hardware.

Data e hora

Selecione **Date/Time** (Data/hora) no menu principal II com o botão Down (Para baixo) (9) e defina a data e hora atuais. Prima o botão Capture/OK (Capturar/OK) (8) para confirmar a introdução. Também pode escolher um dos seguintes formatos de data: AA/MM/DD, DD/MM/AA ou MM/DD/AA. Prima o botão Menu (Menu) (7) para regressar ao modo de pré-visualização.

Economia de energia

Selecione **Auto Power Off** (Opção) no menu principal II e defina o tempo de inatividade antes de o microscópio desligar automaticamente. Prima o botão Capture/OK (Capturar/OK) (8) para confirmar a seleção.

Idioma

Selecione **Language** (Idioma) no menu principal II e escolha uma das definições existentes. Prima o botão Capture/OK (Capturar/OK) (8) para confirmar a seleção.

Ligação à TV

Selecione **TV Mode** (Modo de TV) no menu principal II e, em seguida, selecione, entre NTSC e PAL, o modo correto compatível com a sua TV. Prima o botão Capture/OK (Capturar/OK) (8) para confirmar a seleção.

Frequência de apresentação

Selecione **Frequency** (Frequência) no menu principal II e escolha uma das definições existentes. Prima o botão Capturar/OK (8) para confirmar a seleção.

Formatação do cartão microSD

Selecione **Format SD** (Formatar SD) no menu principal II para formatar o cartão de memória instalado. **Todos os ficheiros no cartão serão eliminados após a formatação do cartão.** Normalmente, a formatação do cartão não é necessária, exceto se o seu cartão não conseguir guardar a imagem capturada.

Repor definições

Selecione **Default Setting** (Predefinição) no menu principal II para reverter para as definições de fábrica.

Versão do hardware

Selecione **Version** (Versão) a partir do menu principal II para verificar a versão atual do hardware.

File (Ficheiro)

Photos Directory (Diretório de fotografias): Definir um diretório para imagens capturadas.

Videos Directory (Diretório de vídeos): Definir um diretório para vídeos gravados.

Options (Opções)

Resolution (Resolução): Definir a resolução das imagens.

Date/Time (Data/hora): Ocultar ou apresentar a data e a hora da captura durante a pré-visualização.

Language (Idioma): Alterar o idioma da interface do utilizador.

XY Guide (Guia XY): Ocultar ou apresentar uma grelha nas imagens.

Full screen mode (Modo de ecrã inteiro): Ir para ecrã inteiro.

Capture (Capturar)

Photo (Fotografia): Capturar uma imagem.

Video (Vídeo): Gravar um vídeo.



Salvar como



Copiar para área de transferência



Copiar arquivo



Imagem anterior



Imagem seguinte



Desfazer a última ação



Repita a última ação



Desenhar



Texto



Medição



Calibração

Captura de imagem

Clique no ícone correspondente na barra de ferramentas ou selecione **Photo** (Fotografia) no menu **Capture** (Capturar).

Gravação de um vídeo

Clique no ícone correspondente na barra de ferramentas ou selecione **Video** (Vídeo) no menu **Capture** (Capturar).

Captura em sequência

Clique no ícone correspondente na barra de ferramentas. Será apresentada uma janela de diálogo onde pode definir um número de parâmetros para a captura em sequência. Clique no botão de opção de **fotografia** para definir a hora para começar a capturar imagens, o intervalo entre capturas e o número total de imagens. Clique no botão de opção de **vídeo** para definir a hora para começar a gravar vídeos, a duração, o intervalo entre gravações e o número total de cliques.

Calibração

Antes de calibrar o microscópio, ligue a apresentação em grelha. Para tal, selecione **On** (Ligar) em **Options** (Opções) > **XY Guide** (Guia XY). Por predefinição, a grelha está visível. Coloque a escala de calibração na lâmina e foque. Certifique-se de que o eixo vertical da grelha está paralelo às divisões da escala e capture uma imagem. Clique duas vezes na miniatura de imagem para abri-la numa janela separada.

Clique no ícone correspondente na barra de ferramentas para iniciar a calibração. Utilizando o rato, escolha dois pontos na imagem (tem de saber a distância real entre estes dois pontos). Quando escolher o segundo ponto, será aberta uma janela de diálogo na qual terá de introduzir a distância conhecida no campo **Actual dimension** (Dimensão real). A aplicação irá calcular automaticamente a ampliação da imagem. Clique em **OK** para fechar a caixa de diálogo. A ampliação calculada será apresentada no campo **Magnification** (Ampliação).

Nota: Os pontos escolhidos devem formar uma linha horizontal.

Pode verificar os resultados da calibração, medindo a mesma distância com a ferramenta **Any Angle Line** (Qualquer linha de ângulo). Clique no ícone de medições, escolha a ferramenta **Any Angle Line** (Qualquer linha de ângulo) e desenhe uma linha semelhante na imagem. Se a distância medida for igual à distância real, a calibração foi bem sucedida.

Recalibração

O processo de calibração tem de ser repetido, se a ampliação ou o foco tiver sido alterado durante as observações.

Clique novamente no ícone correspondente na barra de ferramentas e selecione **Reset picture magnification** (Repor ampliação da imagem) em **Reset magnification** (Repor ampliação). Repita o processo de calibração, conforme descrito acima. Altere a ampliação e capture algumas imagens. Clique duas vezes numa das miniaturas para abrir a imagem resultante numa janela de pré-visualização. Clique no ícone de calibração na barra de ferramentas e selecione **Set picture magnification** (Definir ampliação de imagem) em **Set magnification** (Definir ampliação). Introduza a ampliação atual na janela de diálogo apresentada e clique em **OK**.

Se pretender utilizar a mesma ampliação ao capturar imagens no futuro, clique no ícone de calibração na barra de ferramentas e selecione **Set capture magnification** (Definir ampliação da captura) em **Set magnification** (Definir ampliação).

Medições

Recomenda-se calibrar o sistema antes de continuar com as medições.

Any Angle Line (Qualquer linha de ângulo). Mantenha premido o botão esquerdo do rato para começar a desenhar uma linha. Solte o botão esquerdo do rato para concluir a linha.

Continuous Line (Linha contínua). Utilize esta ferramenta para desenhar uma curva na imagem e medir o comprimento.

Radius Circle (Raio do círculo). Desenhe uma linha reta na imagem. A aplicação calculará automaticamente o raio, bem como a circunferência e a área do círculo correspondente.

Diameter Circle (Diâmetro do círculo). Desenhe uma linha reta na imagem. A aplicação calculará automaticamente o diâmetro, bem como a circunferência e a área do círculo correspondente.

Three Points Angle (Ângulo de três pontos). Coloque três pontos na imagem com o rato. A aplicação irá calcular automaticamente o valor do ângulo.

Desenho e texto

O PortableCapture permite adicionar desenhos e caixas de texto às suas imagens. Abra uma imagem numa janela de pré-visualização e clique no ícone de **Pencil** (Lápis) na barra de ferramentas. Selecione uma das ferramentas no menu pendente e desenhe algo na imagem. Ao clicar no ícone **TT** na barra de ferramentas, pode editar o tipo de letra e a cor a utilizar nas caixas de texto.

Trabalho com a aplicação para utilizadores Mac OS

Navegue até à pasta **mac** no CD de instalação e copie o ficheiro PortableCaptureHD para o ambiente de trabalho. Utilize um cabo USB para ligar o microscópio ao computador. Execute a aplicação **PortableCaptureHD**, clicando duas vezes no ícone.

Uma imagem ampliada do espécime observado pode ser vista na janela principal da aplicação. A partir do menu **Options** (Opções), selecione **Preview Size** (Tamanho da pré-visualização) para definir a resolução da imagem. Tenha em atenção que a janela de pré-visualização não pode ser redimensionada (a resolução padrão é 640x480). A resolução da imagem é apresentada no canto inferior esquerdo da janela de pré-visualização.

No menu **Options** (Opções), selecione a **Date/Time** (Data/hora) para apresentar ou ocultar a data e a hora da captura durante a pré-visualização.

Clique no ícone correspondente na barra de ferramentas ou selecione **Photo** (Fotografia) no menu **Capture** (Capturar). Uma miniatura de imagem será apresentada no lado direito da janela principal. Clique no ícone correspondente na barra de ferramentas ou selecione **Video** (Vídeo) no menu **Capture** (Capturar) para iniciar a gravação de um vídeo. Uma miniatura de vídeo será apresentada no lado direito da janela principal.

***Nota:** Durante a gravação, o ícone da câmara de vídeo na barra de ferramentas fica vermelho. Clique novamente no ícone para parar a gravação.*

As miniaturas de imagem e vídeo são apresentadas no lado direito da janela principal da aplicação. Clique duas vezes numa miniatura de imagem para abri-la numa janela de pré-visualização separada.

A edição de imagens com a aplicação PortableCaptureHD é semelhante ao trabalho com outras aplicações em Mac OS.

A partir do menu principal, selecione **Quit PortableCaptureHD** (Sair do PortableCaptureHD) para sair da aplicação.

Cuidado e manutenção

Nunca, em qualquer circunstância, olhe diretamente para o Sol, ou para outra fonte de luz intensa, ou para um laser através deste dispositivo, pois isso pode causar DANOS PERMANENTES À RETINA e pode levar à CEGUEIRA. Tome as precauções necessárias quando usar o dispositivo com crianças, ou com outras pessoas que não leram, ou não compreenderam totalmente estas instruções. After unpacking your microscope and before using it for the first time check for integrity and durability of every component and connection. Não tente desmontar o dispositivo por conta própria por qualquer motivo. Para fazer consertos de qualquer tipo, por favor entre em contato com seu centro de serviços especializados. Proteja o dispositivo de impactos súbitos e de força mecânica excessiva. Não aplique pressão excessiva quando estiver ajustando o foco. Do not overtighten the locking screws. Não toque nas superfícies ópticas com seus dedos. Para limpar o exterior do dispositivo, use apenas lenços especiais para limpeza e ferramentas especiais de limpeza óptica da Levenhuk. Não utilize fluidos corrosivos, nem baseados em acetona para limpar as partes ópticas. Partículas abrasivas, como areia, não devem ser removidas com um pano. Em vez disso, sobre-as, ou retire-as com um pincel suave. Não use o dispositivo por períodos de tempo muito longos, nem o deixe abandonado sob a luz direta do Sol. Mantenha longe de água e alta umidade. Be careful during your observations, always replace the dust cover after you are finished with observations to protect the device from dust and stains. If you are not using your microscope for extended periods of time, store the objective lenses and eyepieces separately from the microscope. Guarde o dispositivo em um local seco e fresco, longe de ácidos perigosos e outros produtos químicos, de aquecedores, de fogo e de outras fontes de altas temperaturas. When using the microscope, try not to use it near flammable materials or substances (benzene, paper, cardboard, plastic, etc.), as the base may heat up during use, and might become a fire hazard. Always unplug the

microscope from a power source before opening the base or changing the illumination lamp. Regardless of the lamp type (halogen or incandescent), give it some time to cool down before trying to change it, and always change it to a lamp of the same type. Always use the power supply with the proper voltage, i.e. indicated in the specifications of your new microscope. Plugging the instrument into a different power outlet may damage the electric circuitry of the microscope, burn out the lamp, or even cause a short circuit. **Procure um médico imediatamente se uma peça pequena ou uma pilha for engolida.**

Instruções de segurança da bateria

Compre sempre baterias do tamanho e grau mais adequados para o uso pretendido. Substitua sempre o conjunto de baterias de uma só vez; tome cuidado para não misturar baterias antigas com novas, ou baterias de tipos diferentes. Limpe os contactos da bateria, e também os do dispositivo, antes da instalação da bateria. Certifique-se de que as baterias estão instaladas corretamente no que respeita à sua polaridade (+ e -). Remova as baterias do equipamento se este não for ser usado por um período prolongado de tempo. Remova as baterias usadas prontamente. Nunca tente recarregar baterias primárias, pois isso pode causar derrame, incêndio ou explosão. Nunca coloque as baterias em curto-circuito, pois isso pode causar altas temperaturas, derrame ou explosão. Nunca aqueça as baterias com o intuito de as reanimar. Não desmonte as baterias. Lembre-se de desligar os dispositivos após a utilização. Mantenha as baterias fora do alcance das crianças, para evitar o risco de ingestão, sufocação ou envenenamento. Use as baterias da forma prescrita pelas leis do seu país.

Especificações

Megapixels	3
Ampliação, x	10–200
Resoluções de imagem disponíveis	14M, 8M, 5M, 3M, 2M, WVGA
Resoluções de vídeo disponíveis	1080P Full HD, 720P, VGA
Formato de fotografia/vídeo	*.jpeg / HDMl: *.h264; USB: *.mjpeg
Foco	manual, 10–500 mm
Iluminação	sistema de 8 LEDs com brilho variável
Fonte de alimentação	cabo USB 2.0
Idioma do software	inglês, alemão, espanhol, russo, italiano, francês, português, neerlandês, polaco, japonês, coreano, chinês
Capacidade de ligar equipamento adicional	suporte de cartões microSD com capacidade de até 32 GB (não incluído no kit)
Intervalo de temperaturas de funcionamento, °C	–5...+50

Levenhuk se reserva no direito de fazer alterações na variedade e nas especificações dos produtos sem notificação prévia.

Requisitos do sistema

Monitor: qualquer monitor com entrada HDMI; sistema operativo: Windows 7/8/10, Mac 10.7-10.14; CPU: P4 1,8 GHz ou superior; RAM: 512 MB; GPU: 64 MB; Interface: USB 2.0; unidade de CD-ROM.

Garantia vitalícia internacional Levenhuk

Todos os telescópios, microscópios, binóculos ou outros produtos ópticos Levenhuk, exceto seus acessórios, são acompanhados de garantia vitalícia contra defeitos dos materiais e acabamento. A **garantia vitalícia** é uma garantia para a vida útil do produto no mercado. Todos os acessórios Levenhuk têm garantia de materiais e acabamento livre de defeitos por **dois anos** a partir da data de compra. A Levenhuk irá reparar ou substituir o produto ou sua parte que, com base em inspeção feita pela Levenhuk, seja considerado defeituoso em relação aos materiais e acabamento. A condição para que a Levenhuk repare ou substitua tal produto é que ele seja enviado à Levenhuk juntamente com a nota fiscal de compra. Esta garantia não cobre partes consumíveis, tais como lâmpadas (elétricas, de LED, de halogênio, econômicas e outros tipos de lâmpadas), baterias (recarregáveis e não recarregáveis), consumíveis elétricos etc. Para detalhes adicionais, visite nossa página na internet: www.levenhuk.eu/warranty
Se surgirem problemas relacionados à garantia ou se for necessária assistência no uso do produto, contate a filial local da Levenhuk.

Levenhuk DTX TV

Цифровой микроскоп

RU

Никогда не смотрите в прибор на Солнце, на источник яркого света и лазерного излучения — ЭТО ОПАСНО ДЛЯ ЗРЕНИЯ И МОЖЕТ ПРИВЕСТИ К СЛЕПОТЕ!

Устройство микроскопа

- | | | | |
|---|--------------------------------------|-------|--|
| 1 | Разъем USB/набеля питания | 7 | Кнопка «Menu» (Меню) |
| 2 | Разъем HDMI | 8 | Кнопка «Capture/OK» (Спуск затвора/OK) |
| 3 | Разъем карты microSD | 9 | Кнопка «Down» (Вниз) |
| 4 | Регулятор яркости освещения | 10 | Светодиодная подсветка |
| 5 | Кнопка вкл./выкл. питания | 11 | Колесо фокусировки |
| 6 | Кнопка «Mode» (Режим/ просмотр/фото) | 12 | Шкала увеличения |
| | | 13-17 | Фиксаторы |

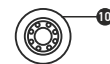
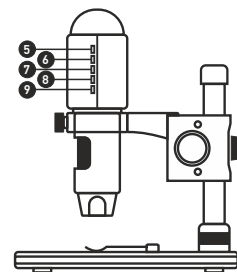
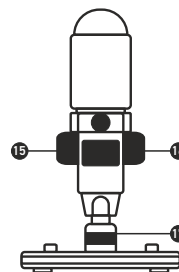
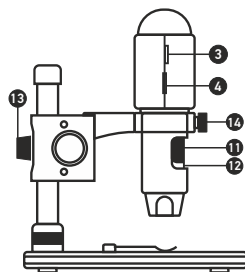
Комплект поставки: цифровой микроскоп, штатив, сетевой адаптер, USB-кабель, HDMI-кабель, шкала калибровки, компакт-диск с программным обеспечением, инструкция по эксплуатации.

Сборка микроскопа

Выньте микроскоп и все сопутствующие детали из коробки. Поместите предметный столик на ровную поверхность. Наденьте гайку (17) на металлическую трубку штатива. Вставьте металлическую трубку в соответствующее отверстие предметного столика. Затяните гайку (17), чтобы закрепить штатив. Вставьте микроскоп в соответствующее крепление на штативе. Затяните стопорный винт (14), чтобы закрепить микроскоп в креплении. Затяните стопорный винт (13), чтобы закрепить движущуюся часть штатива на металлической трубке. Поместив препарат на предметный столик, используйте колесо грубой фокусировки (16) для настройки резкости изображения. Если после грубой фокусировки изображение осталось недостаточно четким, резкость изображения можно отрегулировать с помощью колеса точной фокусировки (11). Когда изображение сфокусировано, можно закрепить полученный результат, затянув фиксатор фокусировки (15).

Работа с PortableCaptureHD

Вставьте установочный диск Levenhuk DTX в дисковод. В появившемся диалоговом окне выберите пункт **Install PortableCaptureHD** (Установка PortableCaptureHD). Откроется мастер установки, который поможет вам установить приложение. Вы также можете прочесть инструкцию по эксплуатации, выбрав в диалоговом окне соответствующий пункт Начало работы. Подключите микроскоп к компьютеру через USB-кабель и запустите приложение PortableCaptureHD. Если микроскоп не подключен к компьютеру, при запуске приложения появится соответствующее предупреждение.



Сделать снимок



Начать или приостановить запись видеоролика



Автоматическая съемка: укажите время начала съемки, интервал и общее количество снимков или видеороликов



Полноэкранный режим. Для выхода из полноэкранного режима нажмите клавишу **Escape** (Выход) или дважды щелкните левой кнопкой мыши в любом месте экрана

Функции микроскопа

Подключение к телевизору/монитору с разъемом HDMI

- 1) Подключите микроскоп к телевизору/монитору с HDMI-разъемом при помощи HDMI-кабеля. Включите питание телевизора/монитора и выберите HDMI-режим.
- 2) Соедините микроскоп с адаптером питания и подсоедините адаптер к сети переменного тока. Включите питание микроскопа нажатием кнопки **Вкл./выкл. питания** (5). Теперь вы можете начать просмотр на экране.

Съемка фотографий

- 1) Вставьте microSD-карту в соответствующий слот (3). Устройство поддерживает microSD-карты объемом до 32 ГБ.
- 2) При помощи **Колеса фокусировки** (11) подстройте изображение так, чтобы оно было максимально четким.
- 3) Нажмите кнопку **«Capture/OK»** (Спуск затвора/OK) (8) для того, чтобы получить снимок. Снимок сохранится на установленную microSD-карту.

Просмотр фотографий

- 1) Убедитесь, что microSD-карта находится в микроскопе.
- 2) Для перехода в режим просмотра снимков нажмите кнопку **«Mode»** (Режим/просмотр/фото) (6).
- 3) Для просмотра сделанных снимков нажимайте кнопку **«Down»** (Вниз) (9). Повторное нажатие кнопки **«Mode»** (Режим/просмотр/фото) (6) вернет устройство в рабочее состояние.

Сохранение фотографий на компьютере

- 1) Убедитесь, что microSD-карта находится в микроскопе.
- 2) Соедините микроскоп с компьютером при помощи USB-кабеля. Теперь вы можете перенести изображения на компьютер.

Просмотр на компьютере

- 1) Функция доступна только при установленном программном обеспечении (входит в комплект).
- 2) Извлеките microSD-карту из слота.
- 3) Соедините микроскоп с компьютером при помощи USB-кабеля.

Главное меню I

Нажмите кнопку **«Menu»** (Меню) (7), чтобы открыть главное меню цифрового микроскопа. В этом меню можно настроить разрешение, качество, яркость и резкость снимков, а также настроить автоматическую съемку и штамп даты/времени на снимках.

Разрешение

В главное меню I перейдите в раздел **Resolution** (Разрешение), а затем выберите необходимое разрешение при помощи кнопки **«Down»** (Вниз) (9). Нажмите кнопку **«Capture/OK»** (Спуск затвора/OK) (8), чтобы подтвердить выбор.

Примечание: доступны следующие разрешения: WVGA/2M/3M/5M/8M/14M.

Автоматическая съемка

В главное меню перейдите в раздел **Time-lapse Capture** (Понадровая съемка) и введите настройки:

Lapse Num (Количество кадров): при помощи кнопки **«Down»** (Вниз) (9) введите желаемое количество снимков и примените значение, нажав кнопку **«Mode»** (Режим/просмотр/фото) (6). Максимально возможное количество кадров: 999. Это означает, что микроскоп снимет 999 кадров в автоматическом режиме в заданный промежуток времени.

Lapse Time (Промежуток времени): при помощи кнопки **«Down»** (Вниз) (9) введите желаемый временной интервал и примените значение, нажав кнопку **«Mode»** (Режим/просмотр/фото) (6). Максимально возможный временной интервал: 999 секунд. Это означает, что микроскоп будет делать снимки в автоматическом режиме каждые 999 секунд.

Для применения установленных параметров нажмите кнопку **«Capture/OK»** (Спуск затвора/OK) (8), нажмите кнопку **«Menu»** (Меню) (7) для возврата в режим просмотра. Нажмите кнопку **«Capture/OK»** (Спуск затвора/OK) (8) для запуска функции автоматической съемки. Во время съемки количество сделанных кадров будет отображаться в правом верхнем углу.

Когда все кадры будут сделаны, микроскоп вернется в стандартный режим просмотра.

Для съемки в режиме **Lapse Time** (Промежуток времени) период времени до отключения питания должен превышать заданный временной интервал. Рекомендуется установить период 30 минут.

Качество

В главное меню перейдите в раздел **Quality** (Качество) и выберите один из существующих вариантов. От этого параметра зависит степень сжатия изображений.

Резкость

В главное меню перейдите в раздел **Sharpness** (Резкость) и выберите один из существующих вариантов.

Экспозиция (яркость)

В главное меню перейдите в раздел **Exposure** (Яркость) и выберите один из существующих вариантов.

Отображение даты и времени

В главное меню перейдите в раздел **Date Stamp** (Установка времени) и выберите один из существующих вариантов.

Второй раздел главного меню

Дважды нажмите кнопку «**Меню**» (Меню) (7), чтобы открыть второй раздел главного меню цифрового микроскопа. Здесь можно настроить язык системы, режим энергосбережения, частоту экрана, телевизионный сигнал, дату и время, а также отформатировать карту microSD, сбросить настройки и посмотреть версию прошивки.

Дата и время

В главном меню при помощи кнопки «**Down**» (Вниз) (9) перейдите в раздел **Date/Time** (Дата/Время) и настройте дату и время. Подтвердите установку, нажав кнопку «**Capture/OK**» (Спуск затвора/OK) (8). Здесь так же можно выбрать один из следующих форматов отображения даты: ГГ/ММ/ДД, ДД/ММ/ГГ или ММ/ДД/ГГ. Нажмите кнопку «**Меню**» (Меню) (7), чтобы вернуться в режим просмотра.

Режим энергосбережения

В главном меню перейдите в раздел **Auto Power Off** (Авто-выключение) и установите максимальное время бездействия, через которое микроскоп автоматически отключится. Подтвердите установку, нажав кнопку «**Capture/OK**» (Спуск затвора/OK) (8).

Язык

В главном меню перейдите в раздел **Language** (Язык) и выберите один из существующих вариантов. Подтвердите выбор, нажав кнопку «**Capture/OK**» (Спуск затвора/OK) (8).

Телевизионный сигнал

В главном меню перейдите в раздел **TV Mode** (Телевизионный режим) и выберите нужный вариант (NTSC или PAL), соответствующий модели вашего телевизора. Подтвердите выбор, нажав кнопку «**Capture/OK**» (Спуск затвора/OK) (8).

Частота экрана

В главном меню перейдите в раздел **Frequency** (Частота) и выберите один из существующих вариантов. Подтвердите выбор, нажав кнопку «**Capture/OK**» (Спуск затвора/OK) (8).

Форматирование карты

В главном меню перейдите в раздел **Format SD** (Форматирование карты памяти), чтобы отформатировать карту microSD. **После форматирования карты все файлы будут удалены.** Обычно форматирование карты не требуется, если на ней хватает места для сохранения сделанных снимков.

Сброс настроек

В главном меню перейдите в раздел **Default Setting** (Сброс настроек), чтобы вернуться к заводским настройкам приложения.

Версия прошивки

В главном меню перейдите в раздел **Version** (Версия), чтобы просмотреть текущую версию прошивки.

File (Файл)

Photos Directory (Каталог фотографий): выберите папку для сохранения снимков;
Videos Directory (Каталог видео): выберите папку для сохранения видеороликов.

Options (Параметры)

Resolution (Разрешение): выберите разрешение снимков;
Date/Time (Дата/Время): отображение даты и времени во время предпросмотра;
Language (Язык): выберите язык интерфейса;
XY Guide (Руководство XY): отображение сетки во время работы с приложением;
Fullscreen mode (Полноэкранный режим): полноэкранный режим.

Capture (Спуск затвора)

Photo (Фото): сделать снимок;
Video (Видео): записать видеоролик.



Сохранить на



Рисунки



Копировать
в буфер обмена



Заметка



Копировать файл



Измерение



Предыдущее
изображение



Калибровка



Следующее
изображение



Отменить
последнее действие



Повторить
последнее действие

Как сделать снимок

Нажмите соответствующую кнопку на панели управления или выберите пункт **Photo** (Фото) в меню **Capture** (Спуск затвора).

Как записать видео

Нажмите соответствующую кнопку на панели управления или выберите пункт **Video** (Видео) в меню **Capture** (Захват).

Автоматическая съемка

Нажмите соответствующую кнопку на панели управления. В появившемся диалоговом окне можно настроить параметры автоматической фото- или видеосъемки. В разделе **Photo** (Фото) можно установить время начала автоматической съемки, указать интервал съемки и общее количество снимков. В разделе **Video** (Видео) можно установить время начала автоматической съемки, указать продолжительность видеороликов, интервал съемки и общее количество видеороликов.

Калибровка

Для включения визирной сетки выберите пункт **On** (Вкл.) в разделе **XY Guide** (Руководство XY) меню **Options** (Параметры).

Примечание: проведенная линия должна быть горизонтальной.

По умолчанию визирная сетка включена. Визирная сетка поможет вам при работе со шкалой калибровки. Наведите микроскоп на шкалу калибровки и отрегулируйте резкость изображения. Убедитесь, что вертикальная ось визирной сетки параллельна линиям на шкале, и сделайте снимок. Дважды щелкните левой кнопкой мыши полученное изображение, чтобы открыть окно предварительного просмотра. Нажмите соответствующую кнопку на панели инструментов, чтобы приступить к калибровке. При помощи мыши выберите две точки на изображении, расстояние между которыми вам известно. После выбора второй точки откроется диалоговое окно. Введите фактическое расстояние между двумя точками в разделе **Actual dimension** (Фактическое измерение). Программа автоматически вычислит масштаб увеличения. Нажмите **OK**, чтобы закрыть диалоговое окно. После этого в разделе **Magnification** (Увеличение) появится вычисленный масштаб.

Проверьте результат калибровки, измерив то же расстояние при помощи инструмента **Any Angle Line** (Прямая линия). Для этого нажмите кнопку измерений и выберите пункт **Any Angle Line** (Прямая линия). Если измеренное расстояние совпадает с фактическим, калибровка выполнена успешно.

Повторная калибровка

Если в процессе работы вы изменили увеличение и заново настроили резкость изображения, вам придется повторить процесс калибровки. Для этого нажмите соответствующую кнопку на панели управления в окне предварительного просмотра и выберите пункт **Reset picture magnification** (Сбросить параметры калибровки изображения) в разделе **Reset magnification** (Сбросить параметры калибровки). После этого вы сможете повторить процесс калибровки (см. раздел «Калибровка»). Измените увеличение и сделайте несколько снимков. Откройте одно из полученных изображений в режиме предварительного просмотра, нажмите кнопку калибровки на панели

инструментов и выберите пункт **Set picture magnification** (Установить увеличение изображения) в разделе **Set magnification** (Установить увеличение). В появившемся диалоговом окне введите масштаб увеличения и нажмите **OK**. Если вы хотите использовать аналогичное увеличение при создании снимков, нажмите кнопку калибровки на панели инструментов и выберите пункт **Set capture magnification** (Установить увеличение при создании снимков) в разделе **Set magnification** (Установить увеличение). После этого все изображения будут создаваться с указанным увеличением.

Измерение

Перед измерениями рекомендуется произвести калибровку системы.

Any Angle Line (Прямая линия)

Нажмите левую кнопку мыши в начальной точке и проведите линию. Отпустите левую кнопку мыши в конечной точке.

Continuous Line (Кривая линия)

При помощи этого инструмента можно измерить длину нарисованной вами кривой линии.

Radius Circle (Радиус круга)

Проведите прямую линию, соответствующую радиусу круга. Программа рассчитает радиус, а также длину и площадь окружности.

Diameter Circle (Диаметр круга)

Проведите прямую линию, соответствующую диаметру круга. Программа рассчитает диаметр, а также длину и площадь окружности.

Three Points Angle (Угол)

Выберите любые три точки на изображении при помощи мыши. Программа рассчитает величину угла.

Рисунок и текст

При помощи приложения **PortableCaptureHD** вы можете добавлять рисунки или тексты на созданные изображения. При нажатии кнопки с изображением карандаша на панели управления в окне предварительного просмотра появится выпадающее меню. В нем можно выбрать любой из существующих инструментов для создания рисунков, а также настроить некоторые параметры. При нажатии кнопки с изображением двух букв «Т» на панели управления в окне предварительного просмотра появится выпадающее меню, в котором вы можете настроить шрифт и цвет надписи.

Работа с приложением на Mac OS

Откройте папку **mac** на установочном диске **Levenhuk DTX** и скопируйте файл **PortableCaptureHD** на рабочий стол. Подключите микроскоп к компьютеру через USB-кабель. Откройте приложение **PortableCaptureHD**, дважды щелкнув значок

PortableCaptureHD.

В главном окне приложения можно увидеть увеличенное изображение препарата. В разделе **Preview Size** (Предварительный размер) меню **Options** (Параметры) можно установить разрешение создаваемых снимков. Обратите внимание, что размер окна предварительного просмотра изменить нельзя (стандартное разрешение – 640x480), а установленное разрешение снимка отображается в левом нижнем углу окна.

В разделе **Date/Time** (Дата/Время) меню **Options** (Параметры) можно указать, будет ли отображаться время и дата создания снимка во время предварительного просмотра.

Чтобы сделать снимок препарата, нажмите соответствующую кнопку на панели управления или выберите пункт **Photo** (Фото) в меню **Capture** (Спуск затвора). Эскиз сделанного снимка появится в списке в правой части главного окна приложения. Чтобы записать видеоролик, нажмите соответствующую кнопку на панели управления или выберите пункт **Video** (Видео) в меню **Capture** (Спуск затвора). Эскиз записанного видеоролика появится в списке в правой части главного окна приложения.

Примечание: после начала записи изображение видеонамеры на панели управления станет красным. Повторное нажатие кнопки остановит запись.

Эскизы созданных изображений и видеороликов отображаются в списке в правой части главного окна. Дважды щелкните эскиз изображения, чтобы открыть его в окне предварительного просмотра.

Процесс работы с изображениями не отличается от других процессов работы на Mac OS.

Выберите пункт **Quit PortableCaptureHD** (Выход из PortableCaptureHD) в главном меню, чтобы выйти из приложения.

Меры предосторожности

Никогда не смотрите в прибор на Солнце, на источник яркого света и лазерного излучения — **ЭТО ОПАСНО ДЛЯ ЗРЕНИЯ И МОЖЕТ ПРИВЕСТИ К СЛЕПОТЕ!** Белые светодиоды системы освещения микроскопа очень яркие; не смотрите на них, чтобы не повредить зрение. Будьте внимательны, если пользуетесь прибором вместе с детьми или людьми, не ознакомленными с инструкцией. Не разбирайте прибор. Сервисные и ремонтные работы могут проводиться только в специализированном сервисном центре. После вскрытия упаковки и установки микроскопа проверьте каждый компонент. Не касайтесь пальцами поверхностей линз. Для очистки линз пользуйтесь мягкой чистой салфеткой, на которую можно капнуть немного спирта или эфира, но лучше всего использовать оригинальные средства для чистки оптики компании Levenhuk. Запрещается использовать для чистки средства с абразивными или коррозионными свойствами и жидкости на основе ацетона! Абразивные частицы (например, песок) следует не стирать, а сдувать или смахивать мягкой кисточкой. Не прилагайте излишних усилий чрезмерных усилий при настройке фокуса. Не прилагайте излишних усилий

к стопорным и фиксирующим винтам. Берегайте прибор от резких ударов и чрезмерных механических воздействий. Микроскоп можно использовать при температуре от –5 °С до +50 °С. Помните, что резкие перепады температуры могут привести к запотеванию линз и образованию конденсата. Храните прибор в сухом прохладном месте, недоступном для пыли, влияния кислот или других активных химических веществ, вдали от отопителей (бытовых, автомобильных) и от открытого огня и других источников высоких температур. Не подвергайте прибор длительному воздействию прямых солнечных лучей. Не используйте прибор в условиях повышенной влажности и не погружайте его в воду. Работайте с микроскопом аккуратно, надевайте на него пылезащитный чехол после работы, чтобы защитить его от пыли и масляных пятен. Во избежание потери данных и повреждения оборудования отключайте микроскоп от компьютера только после закрытия приложения. Дождитесь выключения системы освещения и отключите микроскоп. Если **деталь прибора или элемент питания были проглочены, срочно обратитесь за медицинской помощью.**

Использование элементов питания

Всегда используйте элементы питания подходящего размера и соответствующего типа. При необходимости замены элементов питания меняйте сразу весь комплект, не смешивайте старые и новые элементы питания и не используйте элементы питания разных типов одновременно. Перед установкой элементов питания очистите контакты элементов и контакты в корпусе прибора. Устанавливайте элементы питания в соответствии с указанной полярностью (+ и –). Если прибор не используется длительное время, следует вынуть из него элементы питания. Оперативно вынимайте из прибора использованные элементы питания. Не пытайтесь перезарядить гальванические элементы питания – они могут протечь, воспламениться или взорваться. Никогда не закорачивайте полюса элементов питания – это может привести к их перегреву, протечке или взрыву. Не пытайтесь нагревать элементы питания, чтобы восстановить их работоспособность. Выключайте прибор после использования. Храните элементы питания в недоступном для детей месте, чтобы избежать риска их проглатывания, удушья или отравления.

Технические характеристики

Число мегапикселей	3
Увеличение, крат	10–200
Доступные разрешения записи изображений	14M, 8M, 5M, 3M, 2M, WVGA
Доступные разрешения записи видеороликов	1080P Full HD, 720P, VGA
Фото/видео	*.jpeg / HDMI: *.h264; USB: *.mjpeg
Фокусировка	ручная, в пределах от 10 до 500 мм
Источник освещения	8 светодиодов с регулируемой яркостью системы
Питание	5 В постоянного тока через USB-кабель 2.0

Язык ПО английский, немецкий, испанский, русский,
итальянский, французский, португальский,
голландский, польский, японский, корейский,
китайский

Возможность подключения другого оборудования поддержка карт памяти microSD до 32 ГБ
(в комплект не входит)

Диапазон рабочих температур, °C -5...+50

Компания Levenhuk оставляет за собой право вносить любые изменения или прекращать производство изделия без предварительного уведомления.

Требования к системе

Монитор/телевизор: с разъемом HDMI; операционная система: Windows 7/8/10,
Mac 10.7–10.14; ЦПУ: P4 1,8 ГГц и выше; ОЗУ: 512 МБ; видеокарта: 64 МБ; интерфейс:
разъем USB 2.0; дисковод: CD-ROM.

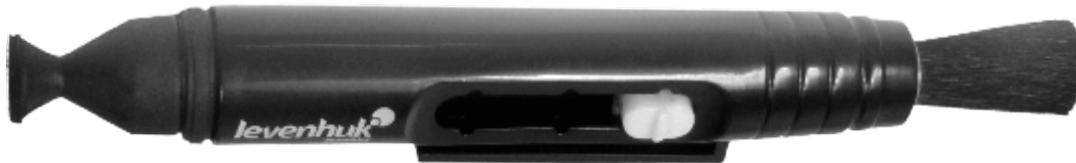
Международная пожизненная гарантия Levenhuk

Компания Levenhuk гарантирует отсутствие дефектов в материалах конструкции и дефектов изготовления изделия. Продавец гарантирует соответствие качества приобретенного вами изделия компании Levenhuk требованиям технической документации при соблюдении потребителем условий и правил транспортировки, хранения и эксплуатации изделия. Срок гарантии: на аксессуары — **6 (шесть) месяцев** со дня покупки, на остальные изделия — **пожизненная гарантия** (действует в течение всего срока эксплуатации прибора). Гарантия позволяет бесплатно отремонтировать или обменять продукт Levenhuk, подпадающий под условия гарантии, в любой стране, где есть офис Levenhuk. Подробнее об условиях гарантийного обслуживания см. на сайте www.levenhuk.ru/support
По вопросам гарантийного обслуживания вы можете обратиться в ближайшее представительство компании Levenhuk.

The original Levenhuk cleaning accessories



Levenhuk Cleaning Pen LP10



Removes dust with a brush
The soft tip is treated with a special cleaning fluid that removes greasy stains
Does not damage optical coatings of the lenses
Leaves no smudges or stains

www.levenhuk.com

Levenhuk USA: 928 E 124th Ave. Ste D, Tampa, FL 33612, USA, +1 813 468-3001, contact_us@levenhuk.com
Levenhuk Europe: V Chotejně 700/7, 102 00 Prague 102, Czech Republic, +420 737-004-919, sales-info@levenhuk.cz
Levenhuk® is a registered trademark of Levenhuk, Inc.
© 2006—2021 Levenhuk, Inc. All rights reserved.
20201218

levenhuk
Zoom&Joy